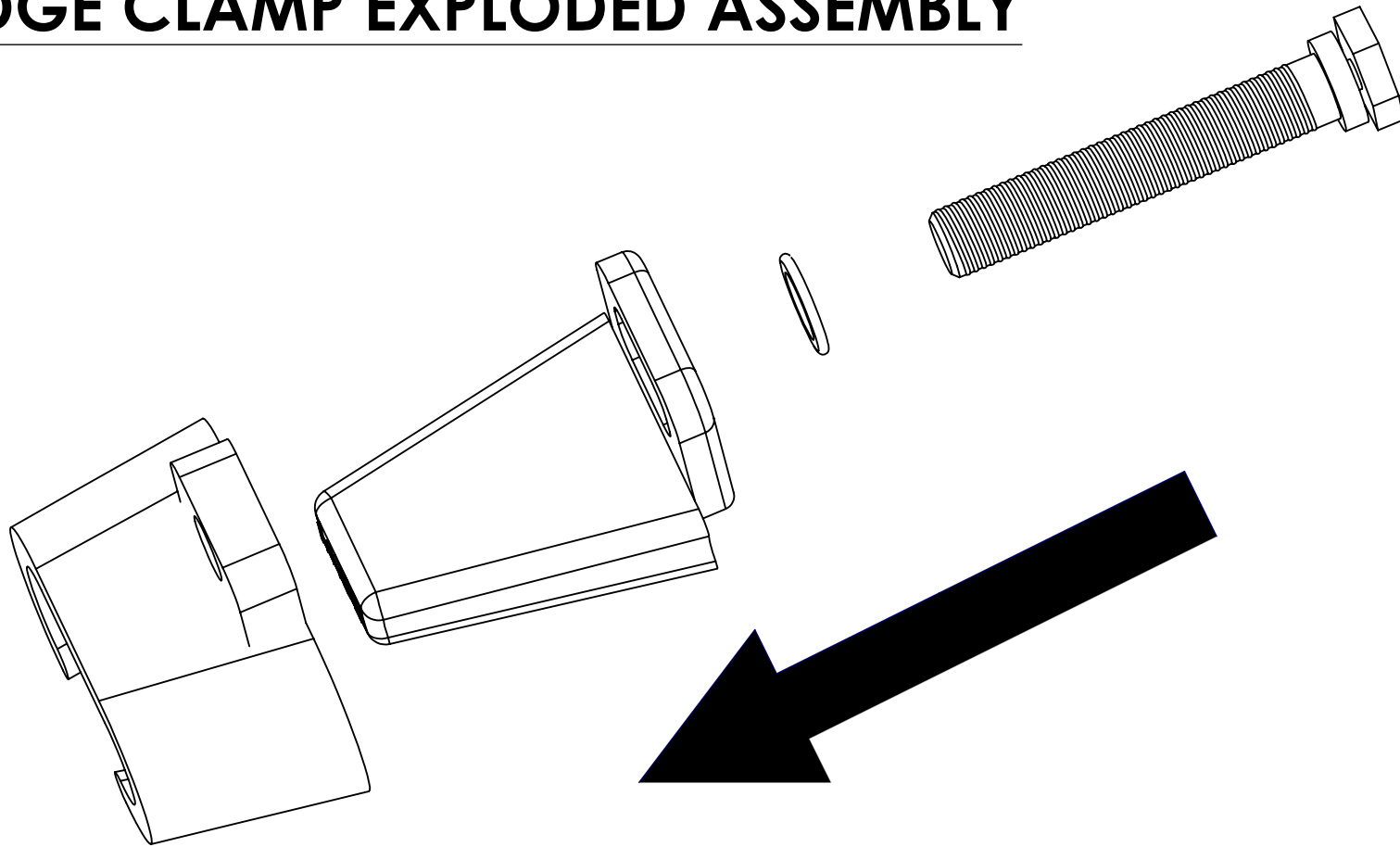


WEDGE CLAMP EXPLODED ASSEMBLY



	NAME	DATE	FULTON INDUSTRIES AUST. PTY. LTD TEL: 43234242 FAX: 43226197 Email: sales@fultonindustries.com.au		
DRAWN	MD	24/05/05			
CHECKED			TITLE: Wedge Clamp Assembly		
ENG APPR.					
MFG APPR.					
Q.A.					
COMMENTS:			SIZE A	DWG. NO. 595 - A4	REV
DO NOT SCALE DRAWING					

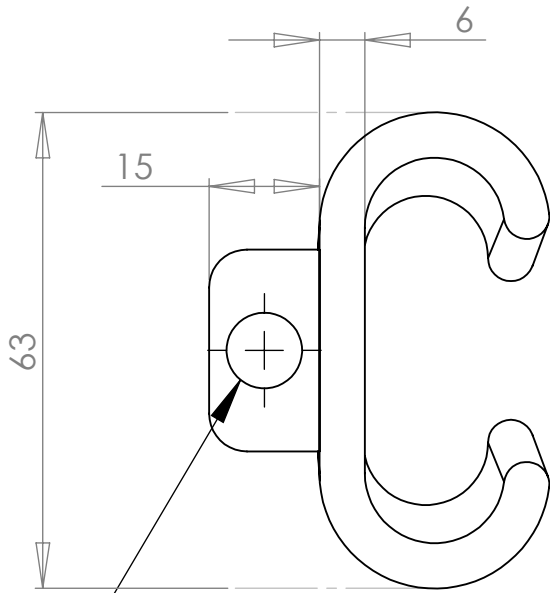
5

4

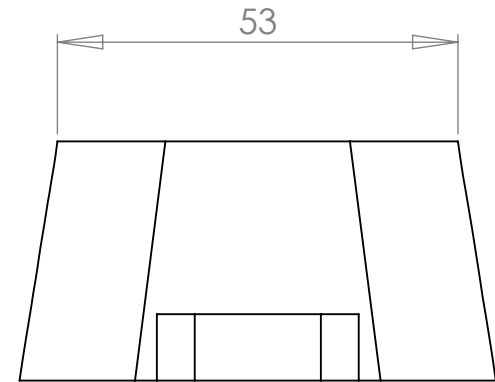
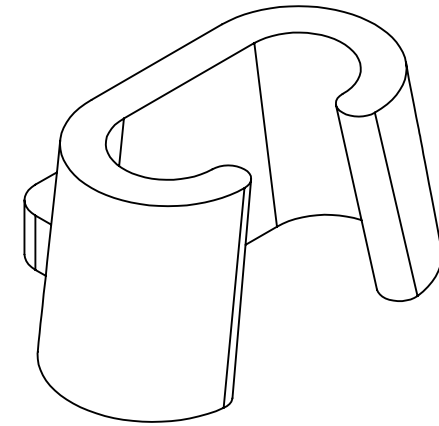
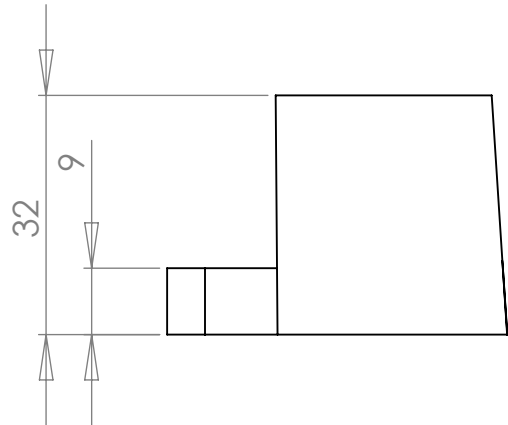
3

2

1



M10 Tapped Hole



PROPRIETARY AND CONFIDENTIAL

THE INFORMATION CONTAINED IN THIS DRAWING IS THE SOLE PROPERTY OF FULTON INDUSTRIES AUSTRALIA PTY. LTD. ANY REPRODUCTION IN PART OR AS A WHOLE WITHOUT THE WRITTEN PERMISSION OF FULTON INDUSTRIES AUSTRALIA PTY. LTD. IS PROHIBITED.

DIMENSIONAL TOLERANCES:

MATERIAL:

DO NOT SCALE DRAWING

	NAME	DATE
DRAWN	MD	26/10/10
CHECKED	MD	26/10/10
ENG APPR.		
MFG APPR.		
Q.A.		

COMMENTS:

1. ALL MEASUREMENTS ARE IN MILLIMETRES.
2. REMOVE ALL SHARP EDGES AND BURRS

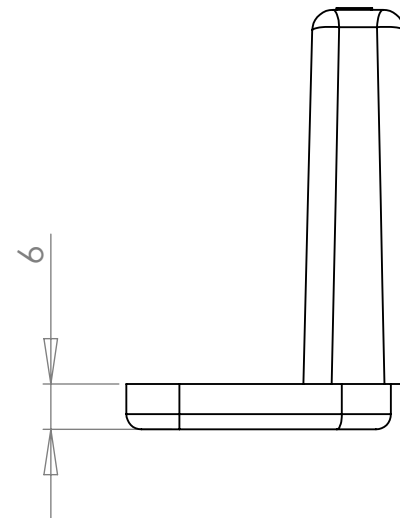
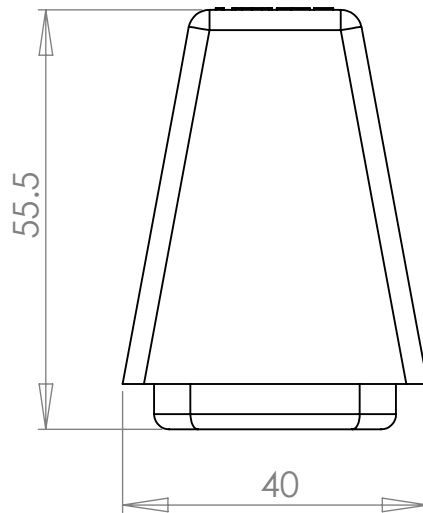
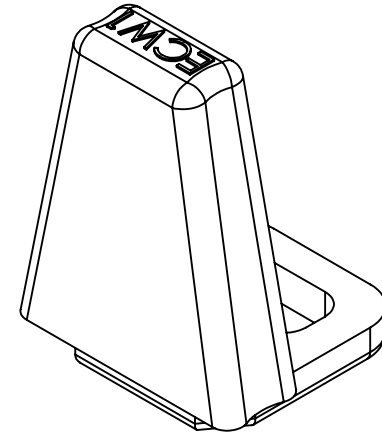
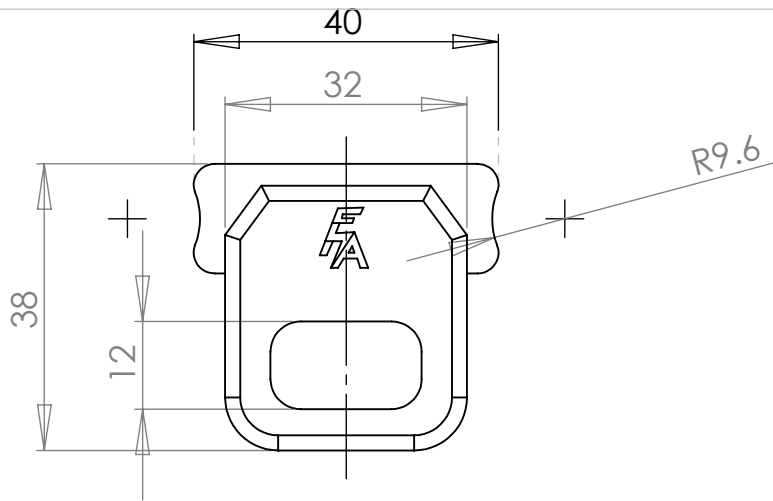
FULTON INDUSTRIES AUSTRALIA PTY LTD
TEL: 61 2 4323 4242 FAX: 61 2 4322 6197
EMAIL: sales@fultonindustries.com.au

TITLE:
FEMALE WEDGE

SIZE	DWG. NO.	REV
A	SALES DRAWING	

SCALE: 1:2

SHEET 2 OF 3



PROPRIETARY AND CONFIDENTIAL

THE INFORMATION CONTAINED IN THIS DRAWING IS THE SOLE PROPERTY OF FULTON INDUSTRIES AUSTRALIA PTY. LTD. ANY REPRODUCTION IN PART OR AS A WHOLE WITHOUT THE WRITTEN PERMISSION OF FULTON INDUSTRIES AUSTRALIA PTY. LTD. IS PROHIBITED.

DIMENSIONAL TOLERANCES:

MATERIAL:

DO NOT SCALE DRAWING

	NAME	DATE
DRAWN	MD	26/10/10
CHECKED	MD	26/10/10
ENG APPR.		
MFG APPR.		
Q.A.		

COMMENTS:

1. ALL MEASUREMENTS ARE IN MILLIMETRES.
2. REMOVE ALL SHARP EDGES AND BURRS

FULTON INDUSTRIES AUSTRALIA PTY LTD
TEL: 61 2 4323 4242 FAX: 61 2 4322 6197
EMAIL: sales@fultonindustries.com.au

TITLE:
MALE WEDGE

SIZE	DWG. NO.	REV
A	SALES DRAWING	

SCALE: 1:1

SHEET 3 OF 3