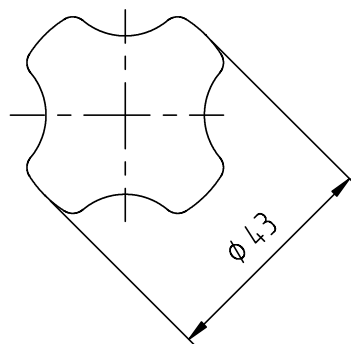
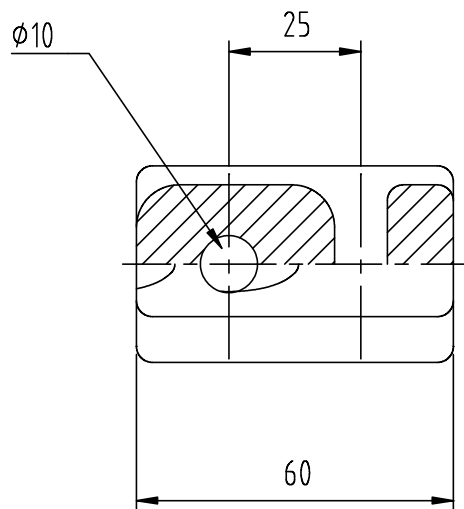


ALL DIMENSIONS IN MILLIMETRES - DO NOT SCALE - IF IN DOUBT ASK



Technical Specification

	DESIGNED VALUES
Power Frequency flashover voltage - dry	10 kV
Power Frequency flashover voltage - wet	4 kV

Issue	Mod. No.	Date

Drawn J. Bain
Date 18.3.1996



NZ Insulators Ltd.

New Zealand Insulators Ltd.
Tel: +64-3-615 0085
Fax: +64-3-615 8125
e-mail: sales@nzinsulators.co.nz



Cat. N°. 107
LOW VOLTAGE STRAIN INSULATOR

S1515/A