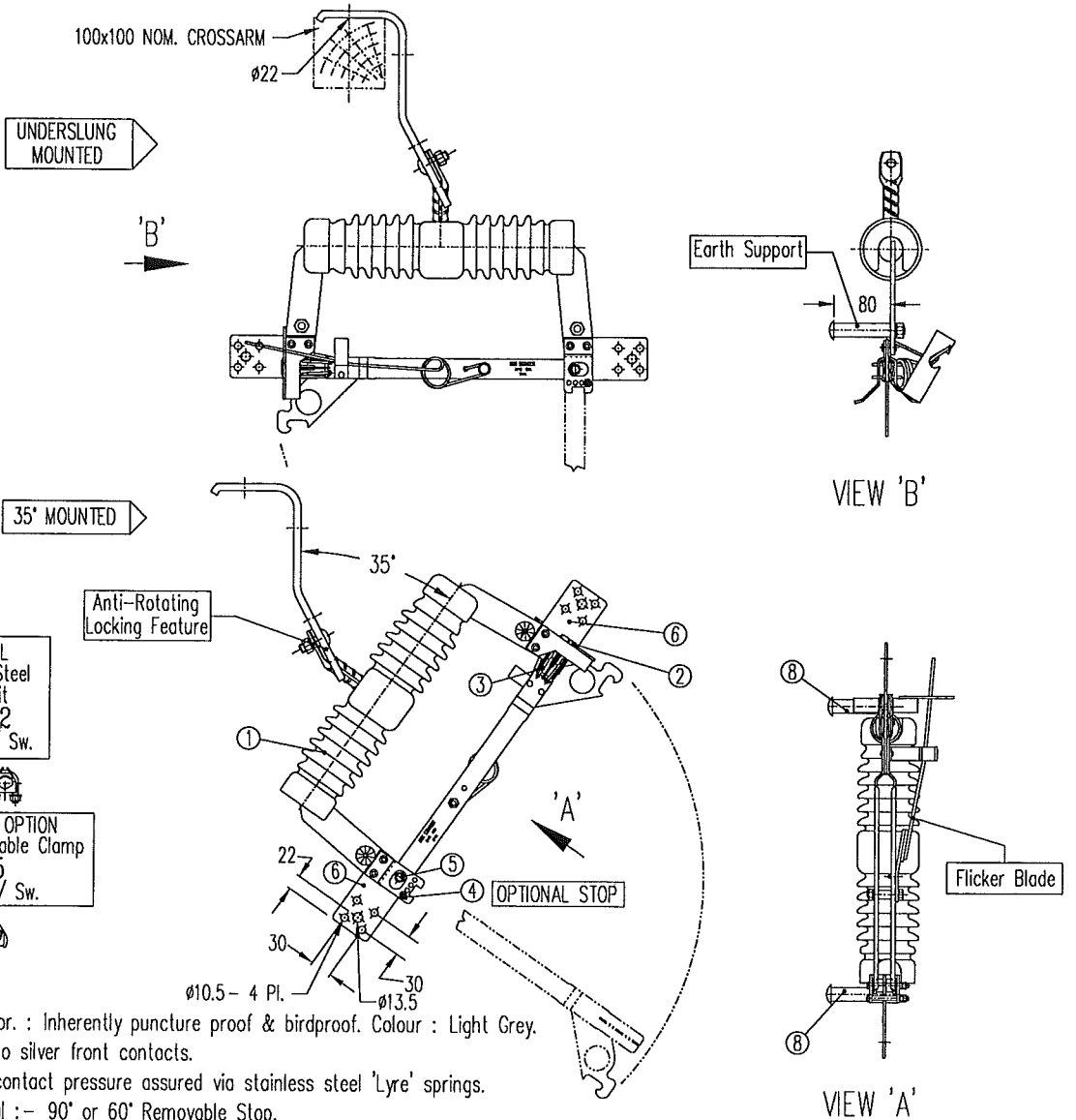


SHEET A4



OPTIONAL
Stainless Steel
U-Bolt Kit
69297/2
4 Req'd / Sw.

ALTERNATIVE OPTION
Single Bolt Cable Clamp
71235
2 Req'd / Sw.

Notes:-

- 1). Insulator. : Inherently puncture proof & birdproof. Colour : Light Grey.
- 2). Silver to silver front contacts.
- 3). Front contact pressure assured via stainless steel 'Lyre' springs.
- 4). Optional :- 90° or 60° Removable Stop.
- 5). Hinge Joint: Silver washers with constant pressure 'Belleville' washers.
- 6). Multi-purpose terminal palm, for compression lugs or cable clamps. Refer Price List for cable clamp kits available.
- 7). All parts (3mm or less) manufactured from non-ferrous or stainless material, for max.corrosion protection.
- 8). Earth Support : Copper Alloy Tube with M10 x 100 Galv. Steel Bolt.
- 9). Crossarm Mounting Bracket, Cable Clamps & Earth Supports supplied loose, to be fitted at installation.

Technical Data

Applicable Standard.: AS1306 / 2650

A) Ratings	Rated Voltage. (max.)	U =	12 kV	24 kV	B) Clearance Distances :	Creepage.	Ls =	300 mm
	Nominal Voltage	Vn =	11 kV	22 kV		Protected Creepage.	Lsp =	30 mm
Insulation Level	Max. Rated Normal Current.	B.I.L	125 kV.		Dry Arcing Distance		La =	203 mm
	Rated Frequency.	In =	630 A	50 Hz.	C). Temperature Rise :	Contacts.		32 °C
Rated Breaking Capacity (Mainly Active Load) A	Rated Short - Time Current 1s	Ibr =	15 kA	11 kA	Terminals.			32 °C
	Pollution Performance No.	Isc =	20 kA.		D). Dielectric Test Voltage:			
E.S.A.A. Med. Rainfall.	High	P =	67.6	8.4	Terminal To Earth : 50 Hz. Dry W/Stand.			60 kV
	Low		40.8	5.1	50 Hz. Wet W/Stand.			50 kV
Specific Creepage.	Ls/Vn		105.5	13.2	1.2 x 50 Impulse W/Stand.			125 kVp.
	mm/kV.		27.2	13.6	Terminal To Terminal : 50 Hz. Dry W/Stand.			70 kV
					50 Hz. Wet W/Stand.			60 kV
					1.2 x 50 Impulse W/Stand.			170 kVp.
					E). Weight :	Net (W/O. Mounting Brkt.)		9 kg
					Gross			

This document is the property of NGK STANGER P/L and must not be copied or reproduced without its written permission nor disclosed to any third party.

SCALE	1 : 9
DRN.	S. dea
CH'D.	S. dea
APP'D.	R
ISSUED	30-1-95

C - Type MVI
12/24kV. Single Pole Isolating Link.
125 kV BIL

 Quality Endorsed Company <small>AS 3902/ISO 9002 Licence Number 368 Standards Australia</small>	 NGK STANGER <small>NGK STANGER Pty. Ltd. A.C.N. 004 225 012 MELBOURNE AUSTRALIA</small>					
	<table border="1" style="width: 100%;"> <tr> <td>SIZE</td> <td>DRAWING No.</td> <td>ISSUE</td> </tr> <tr> <td>A4</td> <td>70416NSW</td> <td>3</td> </tr> </table>	SIZE	DRAWING No.	ISSUE	A4	70416NSW
SIZE	DRAWING No.	ISSUE				
A4	70416NSW	3				