



THIS DRAWING IS CONFIDENTIAL  
AND THE COPYRIGHT OF  
COOPER (U.K.) LIMITED  
AND MUST NOT BE COPIED OR  
PASSED ON TO A THIRD PARTY  
WITHOUT WRITTEN CONSENT.



**COOPER Bussmann**



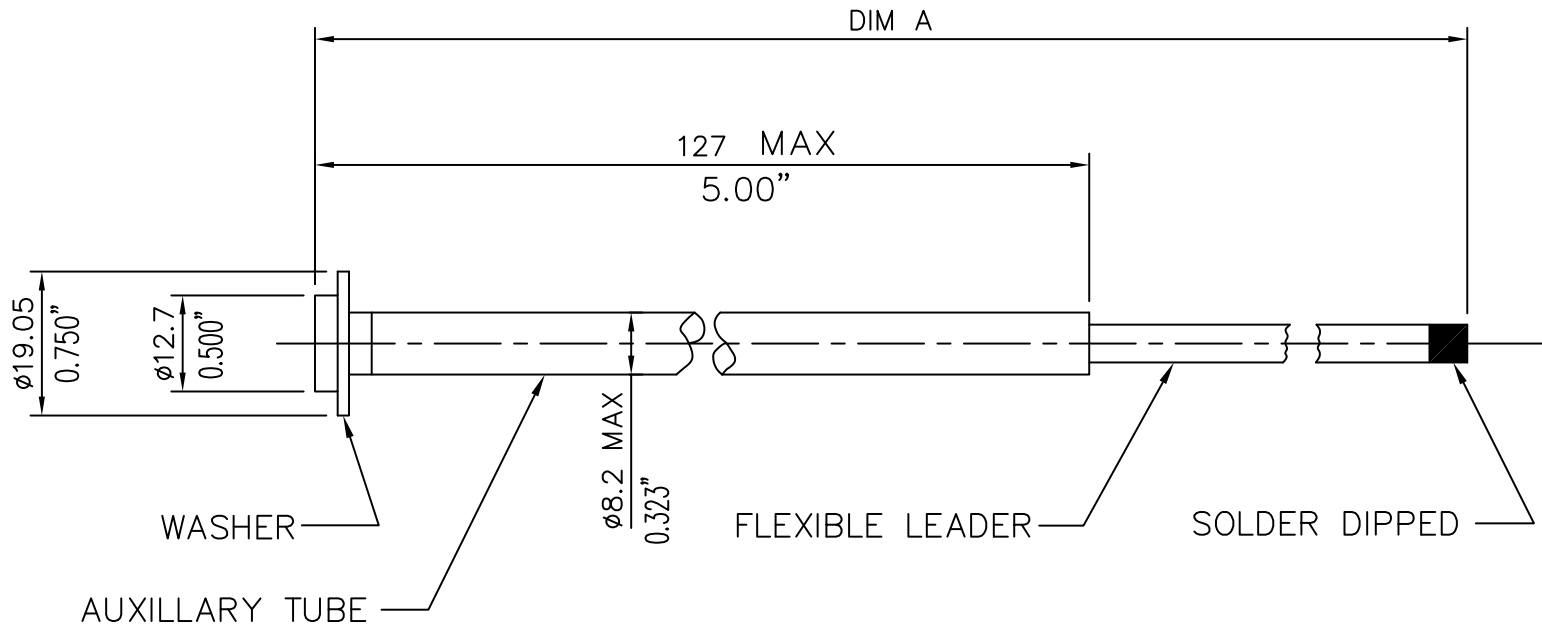
**UNCONTROLLED COPY**

PLEASE ENSURE THE DRAWING IS TO THE  
LATEST REVISION BEFORE COMMENCING WORK.

DRG. No E4009

REVISIONS

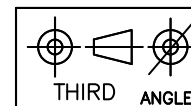
- A) UPDATED TO BUSSMANN LOGO  
19th APR 95 JWMB.
- B) ADDED TB LINK INFO  
SEE ECN-5430  
A.S 22/02/02
- C) XAB ADDED  
ECN 11505  
N.S 29/05/07



TYPE	DIM A MINIMUM
15TB , 15KB , 15XAB	21" (533mm)
25TB , 25KB , 25XAB	26" (660mm)
46TB , 46KB , 46XAB	31" (787mm)
72TB , 72KB , 72XAB	40" (1016mm)

ACAD 12

DRN.	R.A.	CHKD.
DATE	7.5.92	



Cooper (U.K.) Ltd  
BURTON-ON-THE-WOLDS,  
LEICESTERSHIRE LE12 5TH.

NTS  
SCALE

FAX 01509 882786  
TEL 01509 882600

ALL DIMENSIONS IN MILLIMETRES UNLESS OTHERWISE STATED

DRG. No E4009

ANY UNSPECIFIED TOL.  
± 0.4mm 0.016"

TYPE KB & TB BUTTON HEAD LINK (1-50A)

IF IN DOUBT ASK