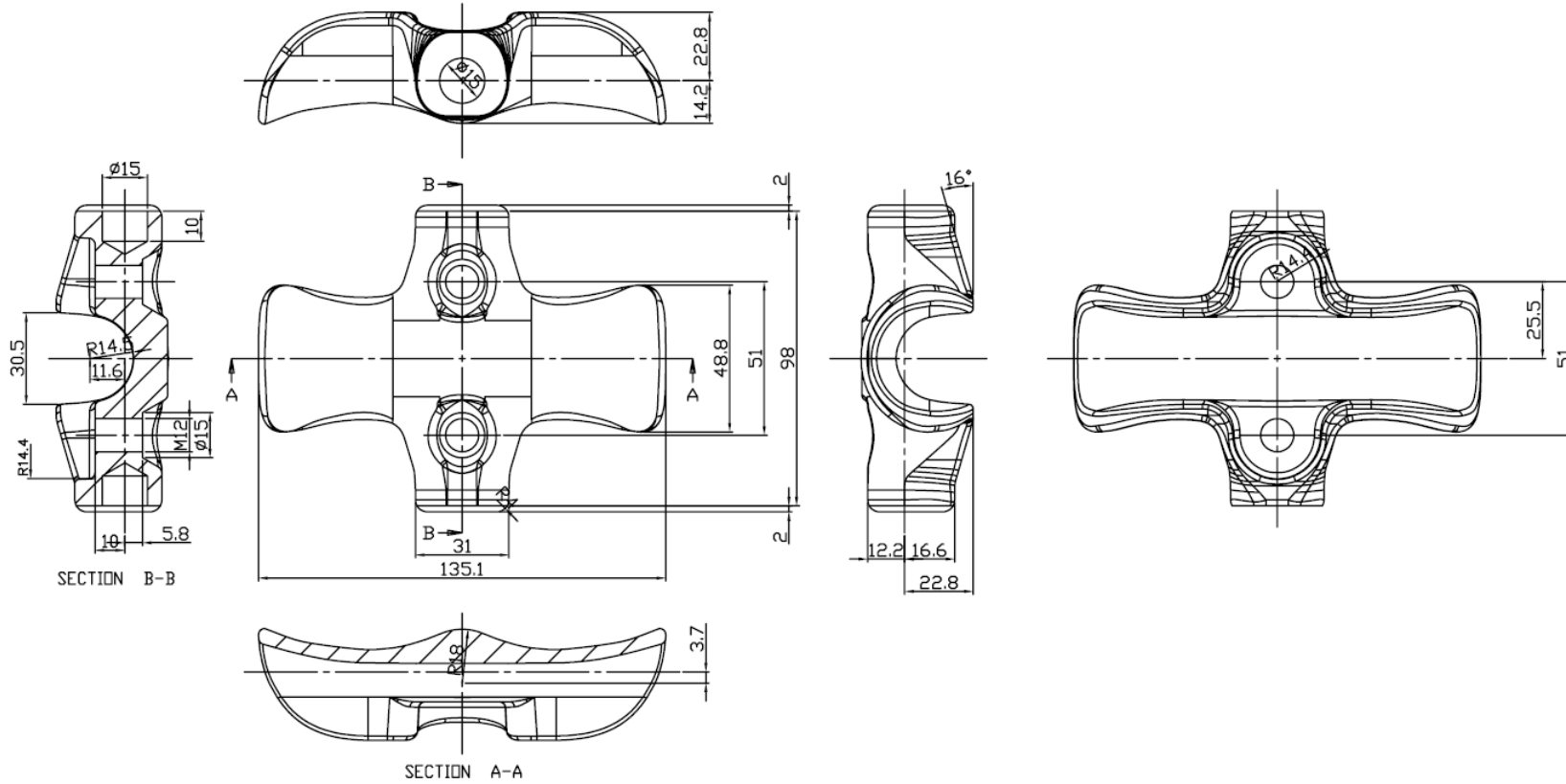
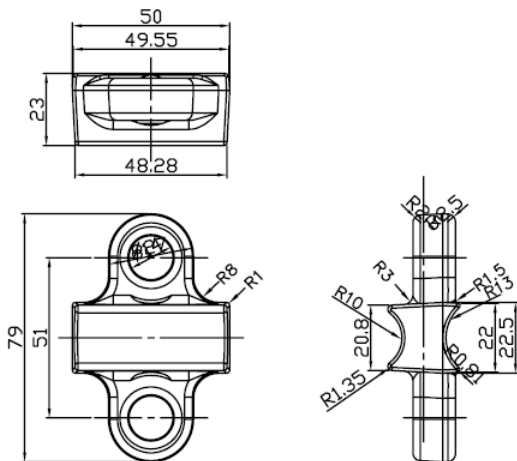


REV	REVISION NOTE	DATE	BY
I/R	INITIAL RELEASE	01/19/2010	C.H.PARK

1



2



2	Upper Clamp	AC4C-T6	1		
1	Down Clamp	AC4C-T6	1		
No.	Part Name	Material	Q'y	Std.	Note
<small>THESE DRAWINGS AND SPECIFICATIONS, AND THE DATA CONTAINED THEREIN, ARE THE EXCLUSIVE PROPERTY OF DTR CORPORATION. THESE DRAWINGS ARE ISSUED IN STRICT CONFIDENCE AND SHALL NOT, WITHOUT THE PRIOR WRITTEN PERMISSION OF DTR CORPORATION, BE REPRODUCED, COPIED, OR USED FOR ANY PURPOSE WHATSOEVER, EXCEPT THE MANUFACTURE OF ARTICLES FOR DTR CORPORATION.</small>					
<small>DIMENSIONAL TOLERANCES UNLESS OTHERWISE NOTED</small> X ±0.1 XX ±0.02 XXX ±0.010 ANGLES ±1°		Designed by C.H.PARK	Date 01/19/10	Part Number DTR-ATC-106	Scale N/A
			WIRE CLAMP FOR POLYMER LINE POST		
Filepath				Units INCHES	Sheet 1/1