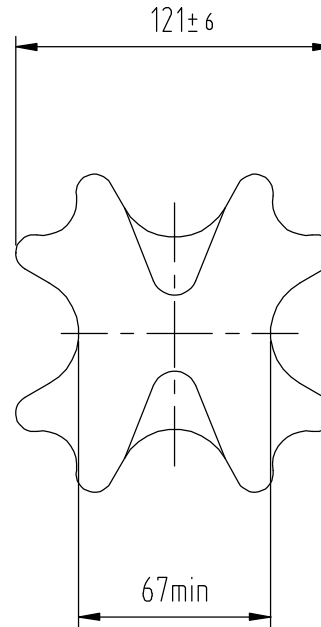
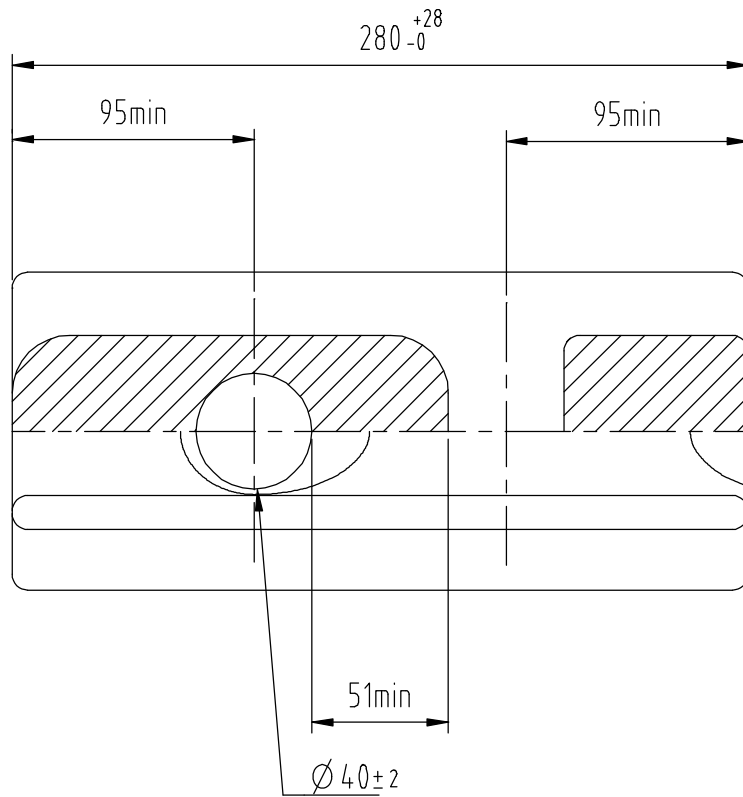


ALL DIMENSIONS IN MILLIMETRES - DO NOT SCALE - IF IN DOUBT ASK



Technical Specification

	DESIGNED VALUES
Minimum Power Frequency flashover – wet	30 kV
Minimum failing load (19/2.75 steel strand cable)	222 kN

TO AS 3609

Issue	Mod.	No.	Date
C	2113	24.9.97	
B	CAD		

Drawn J. Bain
Date 25.3.1996
FIRST ANGLE PROJECTION



NZ Insulators Ltd.

New Zealand Insulators Ltd.
Tel: +64-3-615 0085
Fax: +64-3-615 8125
e-mail: sales@nzinsulators.co.nz

Cat. N°. GY4
STRAIN INSULATOR TO A.S. 3609

S2291/C