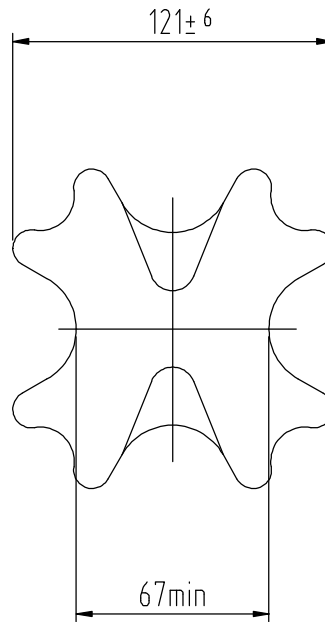
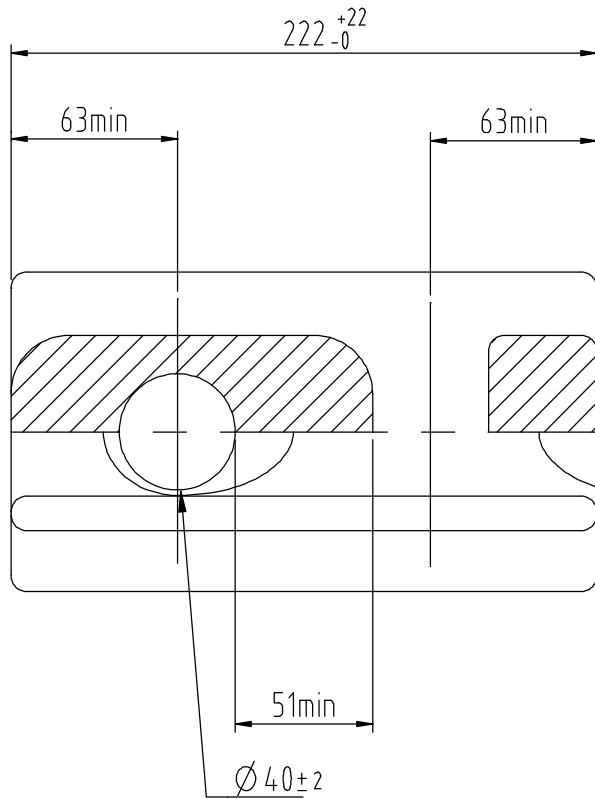


ALL DIMENSIONS IN MILLIMETRES - DO NOT SCALE - IF IN DOUBT PLEASE ASK



Technical Specification

DESIGNED

|  |        |
|--|--------|
| Minimum Power Frequency flashover – wet            | 30 kV  |
| Minimum failing load ( 19/2.75 wire to AS 1222.1 ) | 222 kn |
| Minimum Power Frequency flashover – dry            | 55 kV  |

|              |                 |             |
|--------------|-----------------|-------------|
|              |                 |             |
|              |                 |             |
|              |                 |             |
| E            | 3337            | 04.08.11    |
| <b>Issue</b> | <b>Mod. No.</b> | <b>Date</b> |

Drawn J BAIN  
Date 25.3.1996

NEW ZEALAND INSULATORS



TEMUKA

NEW ZEALAND INSULATORS LTD  
Tel: +64-3-615 0085  
Fax: +64-3-615 8125  
e-mail: sales@nzinsulators.co.nz



**Cat. No. GY3**  
**STRAIN INSULATOR TO A.S. 3609**

**S2290/E**