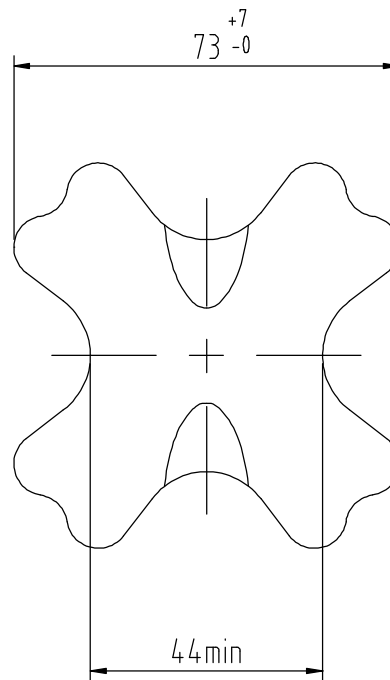
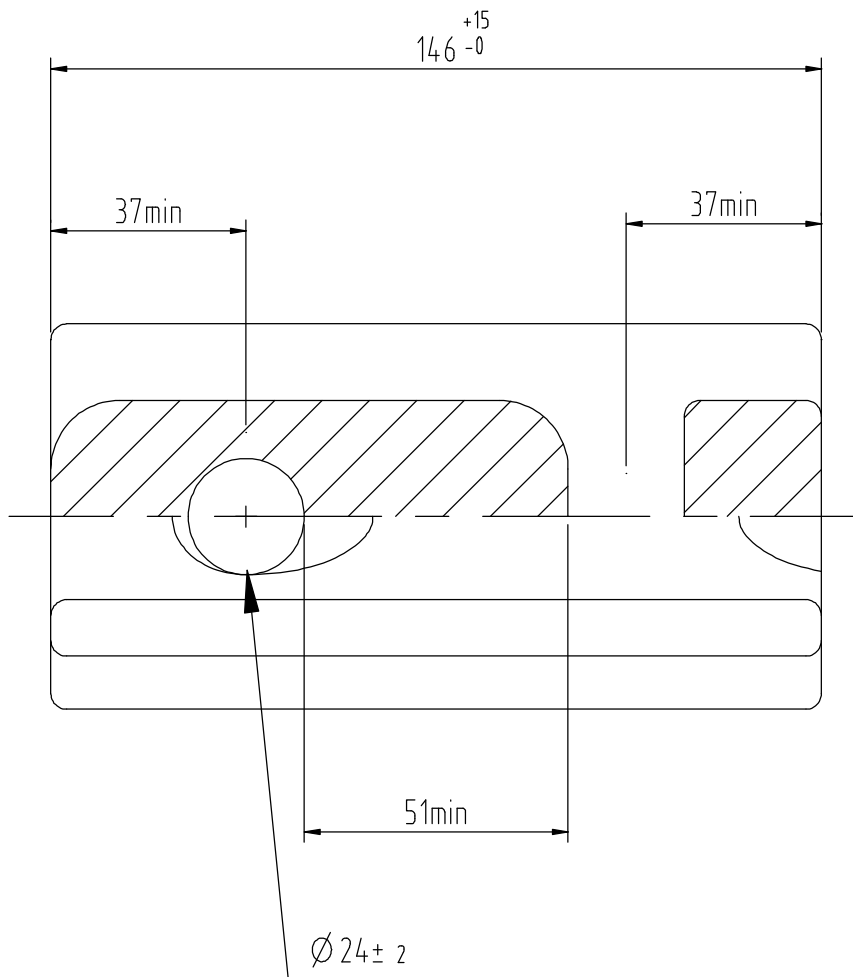


ALL DIMENSIONS IN MILLIMETRES - DO NOT SCALE - IF IN DOUBT PLEASE ASK



Technical Specification

DESIGNED

Minimum Power Frequency flashover – wet	18 kV
Minimum failing load (19/2.00 stay wire)	71 kN
Minimum Power Frequency flashover – dry	35 kV

D	3336	04.08.11
Issue	Mod. No.	Date

Drawn J BAIN
Date 25.3.1996

NEW ZEALAND INSULATORS



TEMUKA

NEW ZEALAND INSULATORS LTD
Tel: +64-3-615 0085
Fax: +64-3-615 8125
e-mail: sales@nzinsulators.co.nz



Cat. No. GY2
STRAIN INSULATOR TO A.S. 3609

S2289/D