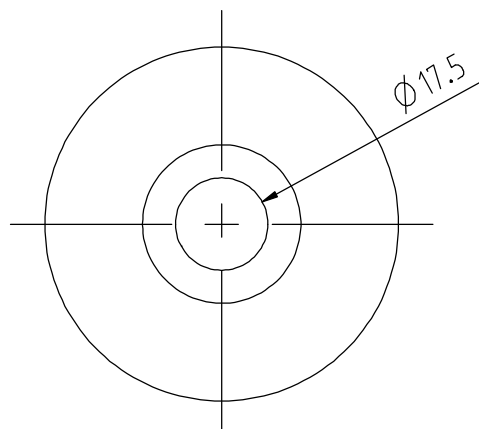
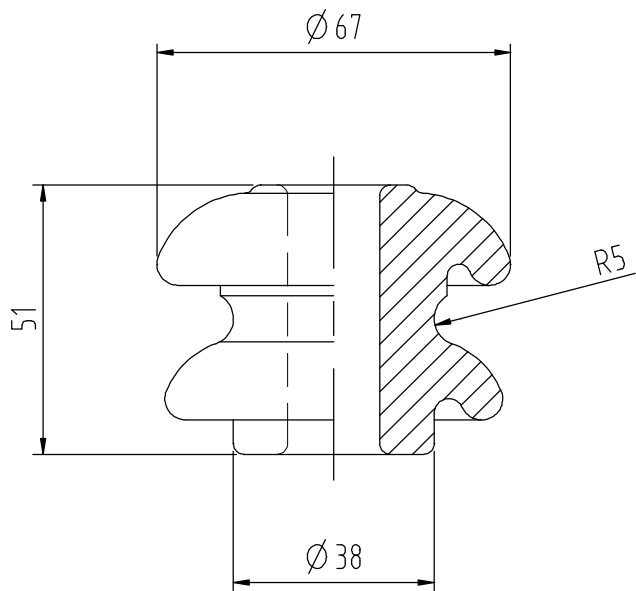


ALL DIMENSIONS IN MILLIMETRES - DO NOT SCALE - IF IN DOUBT PLEASE ASK



Technical Specification

	DESIGNED VALUES
Line voltage	650 Volts
Power Frequency flashover voltage - dry	24 kV
Power Frequency flashover voltage - wet	8 kV
Designed loading	6 kN

B	3159	20.6.05
Issue	Mod. No.	Date

Drawn J. Bain
Date 15.3.1996

NEW ZEALAND INSULATORS



TEMUKA

NEW ZEALAND INSULATORS LTD
Tel: +64-3-687 8100
Fax: +64-3-615 8125
e-mail: sales@nzinsulators.co.nz



FIRST ANGLE PROJECTION

Cat. N°. 210
LOW VOLTAGE REEL INSULATOR

S1331/B