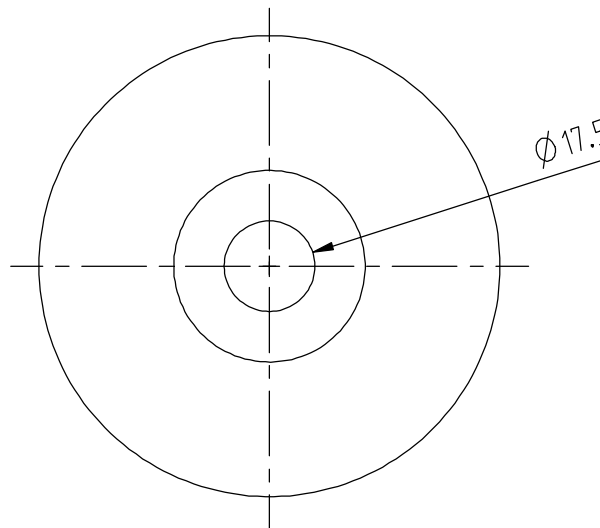
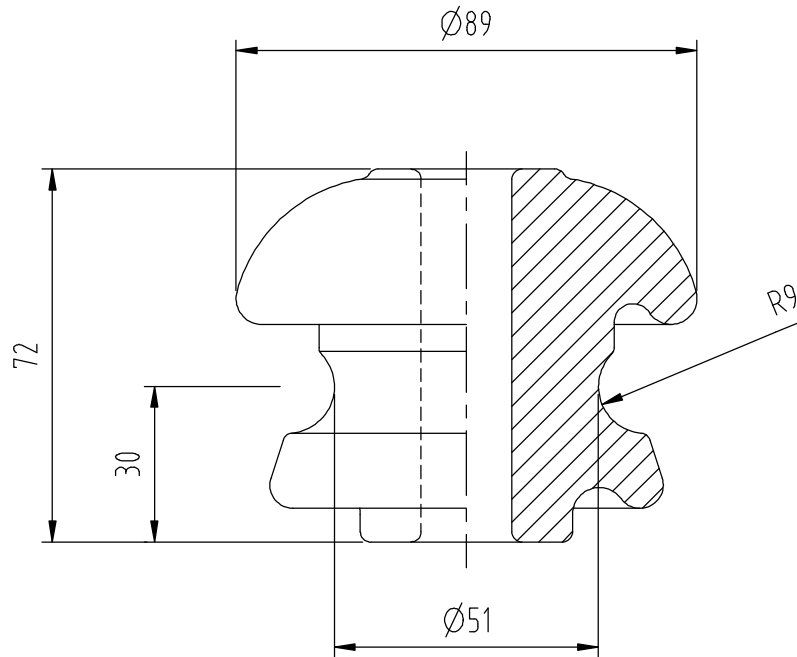


ALL DIMENSIONS IN MILLIMETRES - DO NOT SCALE - IF IN DOUBT ASK



<u>Technical Specification</u>	
	DESIGNED VALUES
Line voltage	3300 Volts
Power Frequency flashover voltage – dry	27 kV
Power Frequency flashover voltage – wet	10 kV
Designed loading	10 kN

C	3160	20.6.05	
Issue	Mod. No.	Date	

Drawn J. Bain
Date 15.3.1996



NZ Insulators Ltd.

New Zealand Insulators Ltd.
Tel: +64-3-615 0085
Fax: +64-3-615 8125
e-mail: sales@nzinsulators.co.nz



FIRST ANGLE PROJECTION

Cat. N°. 205
REEL INSULATOR

S1330/C