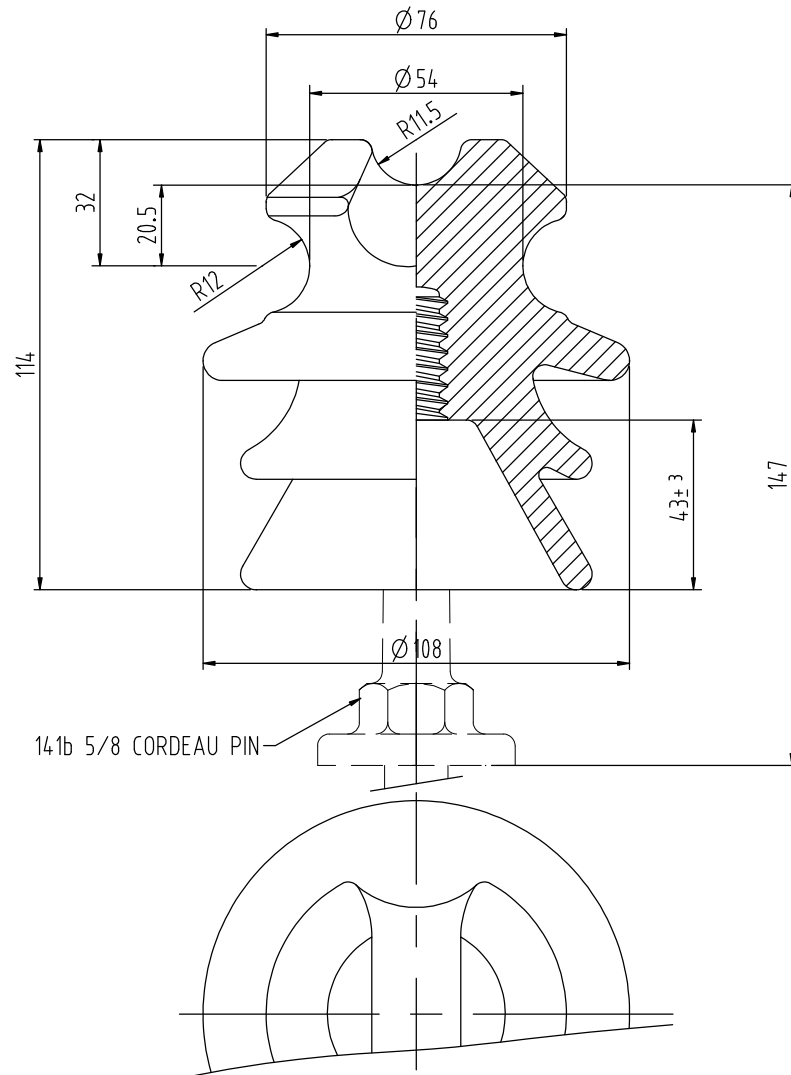


ALL DIMENSIONS IN MILLIMETRES - DO NOT SCALE - IF IN DOUBT PLEASE ASK



Technical Specification

ELECTRICAL CHARACTERISTICS

	DESIGNED VALUES
Nominal system voltage	11 kV
Power Frequency flashover voltage – wet	30 kV
Power Frequency flashover voltage – dry	55 kV

MECHANICAL CHARACTERISTICS

Minimum failing load – Cantilever (Dependant on pin)	5–10 kN
--	---------

PHYSICAL CHARACTERISTICS

Nominal minimum creepage distance	185 mm
Nominal protected creepage distance	90 mm
Nominal flashover distance	110 mm
Nominal net weight	1.0 kg

Issue	Mod. No.	Date
D	3539	20.5.13
C	3306	15.11.10
B	3290	10.5.10

Drawn J. Bain  
Date 15.03.1996

FIRST ANGLE PROJECTION

NEW ZEALAND INSULATORS



TEMUKA

NEW ZEALAND INSULATORS LTD  
Tel: +64-3-687 8100  
Fax: +64-3-615 8125  
e-mail: sales@nzinsulators.co.nz

**Cat. N°. 821**  
**11kV PIN TYPE INSULATOR**

**S1310/D**