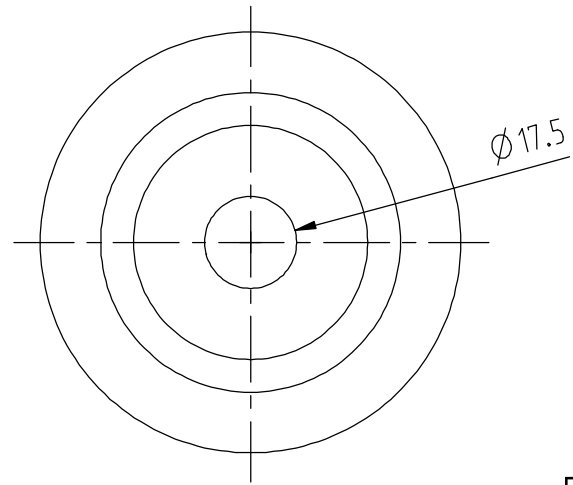
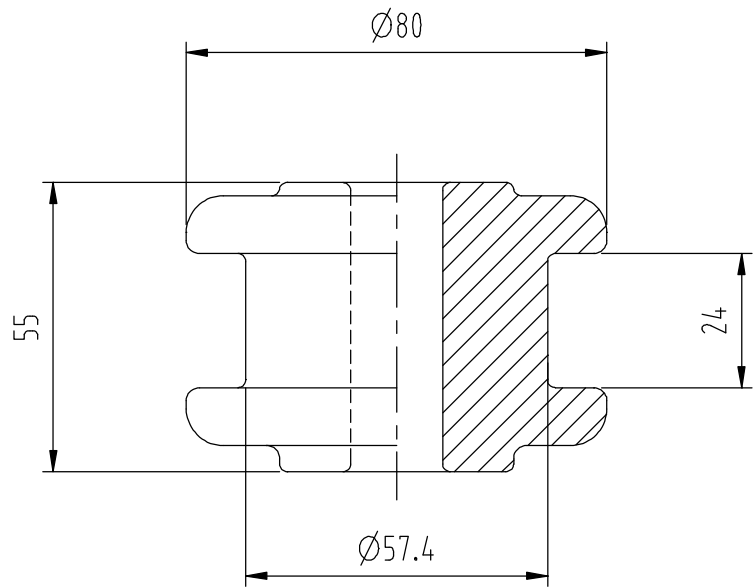




ALL DIMENSIONS IN MILLIMETRES - DO NOT SCALE - IF IN DOUBT ASK



Technical Specification	
	DESIGNED VALUES
Line voltage	650 Volts
Power Frequency flashover voltage - dry	15 kV
Power Frequency flashover voltage - wet	8 kV
Designed loading	13.5 kN

Issue	Mod. No.	Date

Drawn J. Bain Date 13.3.1996	 NZ Insulators Ltd.	New Zealand Insulators Ltd. Tel: +64-3-615 0085 Fax: +64-3-615 8125 e-mail: sales@nzinsulators.co.nz
 FIRST ANGLE PROJECTION	Cat. N°. 224 "TRU-RIP" REEL INSULATOR	S1098/C