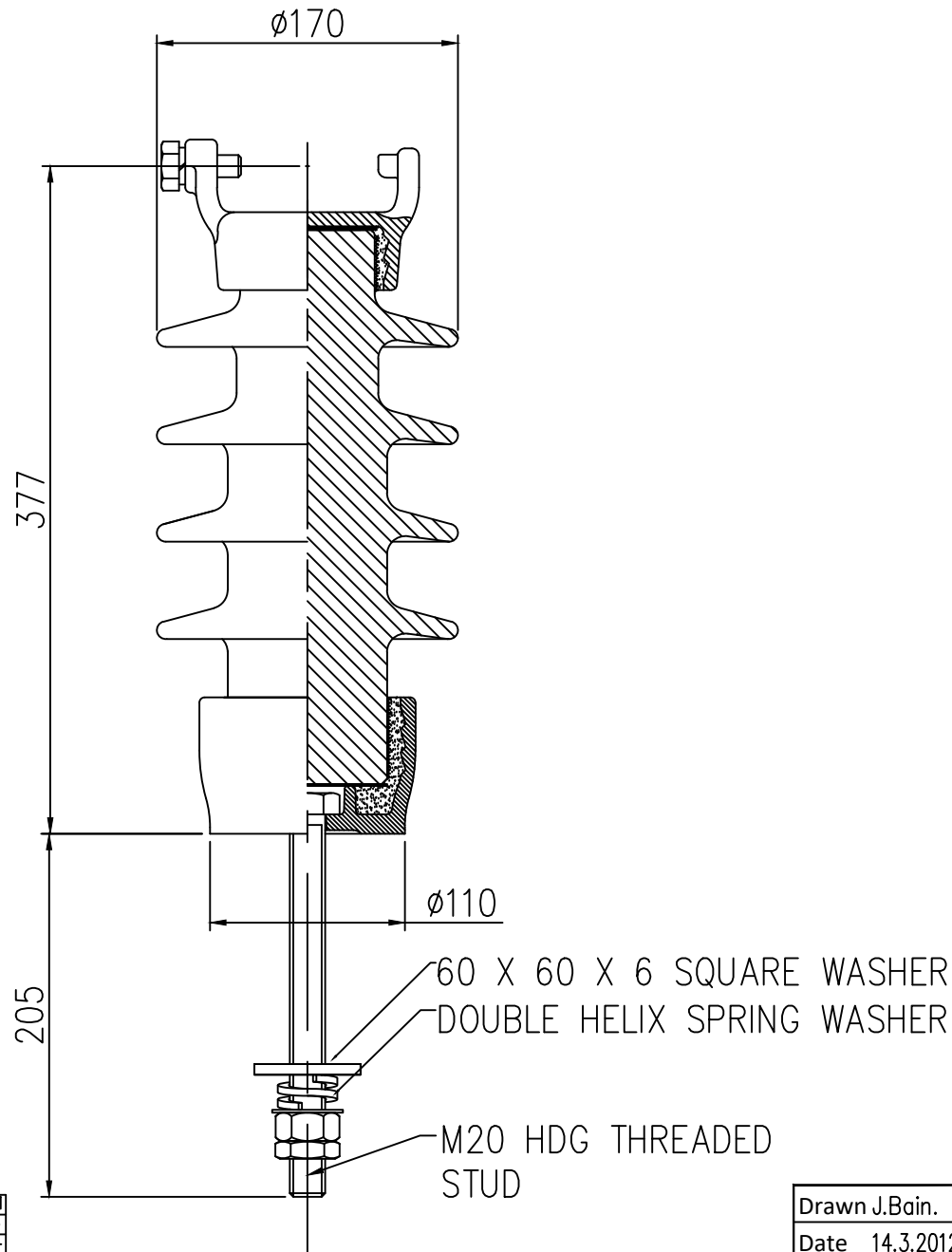


ALL DIMENSIONS IN MILLIMETRES - DO NOT SCALE - IF IN DOUBT PLEASE ASK



Technical Specification

	DESIGNED VALUES
<u>SYSTEM HIGHEST VOLTAGE</u>	24 kV
<u>WITHSTAND TEST VOLTAGES</u>	
a. Power frequency – wet (Vertical)	70 kV
b. Power frequency – wet (Horizontal)	96 kV
c. Power frequency – dry	120 kV
d. Lightning Impulse – dry (Calculated)	... kV
<u>FLASHOVER TEST VOLTAGES</u>	
a. Power frequency – wet (Vertical)	80 kV
b. Power frequency – wet (Horizontal)	110 kV
c. Power frequency – dry	130 kV
<u>MINIMUM FAILING LOADS</u>	
a. Cantilever (Upright)	12 kN
<u>CREEPAGE DISTANCES</u>	
a. Total	490 mm
b. Protected	135 mm
c. Flashover	250 mm
Gross weight	14 kg
Pollution Performance N* (ESAA Publication D (b) 19-1975) ..	

G	3784	13.8.21
F	3652	24.5.15
E	3618	3.7.14
D	3527	3.4.13
C	3476	17.12.12
B	3419	23.4.12
Issue/Mod. No.	Date	

Drawn J.Bain.

Date 14.3.2012



NEW ZEALAND INSULATORS



TEMUKA

NEW ZEALAND INSULATORS LTD
Tel: +64-3-687 8100
Fax: +64-3-615 8125
e-mail: sales@nzinsulators.co.nz

24kV CLAMP TOP LINE POST
CLASS 2 - FIXED LENGTH STUD TYPE

D724-0527/G