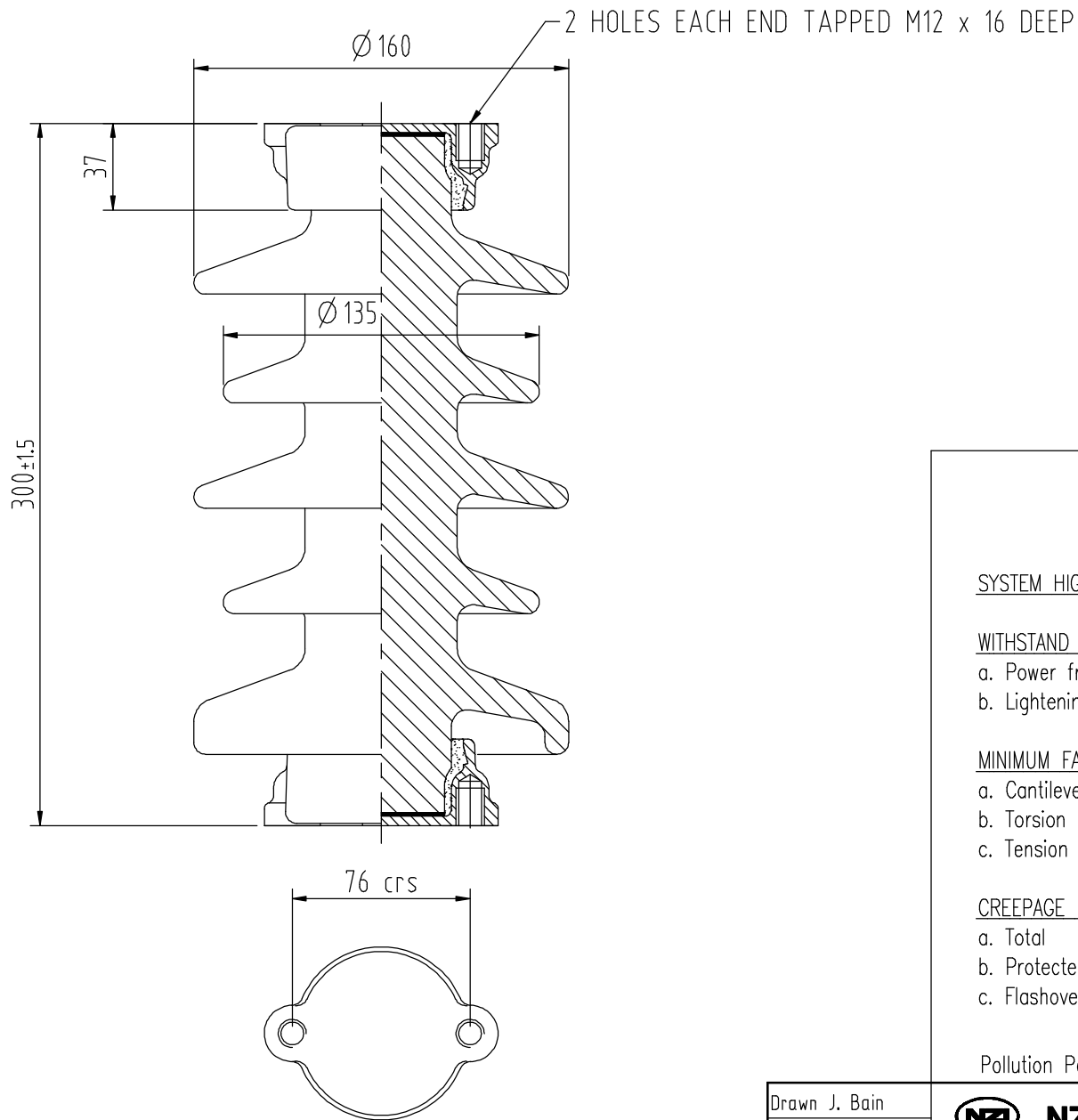


ALL DIMENSIONS IN MILLIMETRES - DO NOT SCALE - IF IN DOUBT ASK



Technical Specification

| | DESIGNED VALUES |
|--------------------------------|-----------------|
| <u>SYSTEM HIGHEST VOLTAGE</u> | 22 kV |
| <u>WITHSTAND TEST VOLTAGES</u> | |
| a. Power frequency – wet | 80 kV |
| b. Lightning impulse – dry | 165 kV |
| <u>MINIMUM FAILING LOADS</u> | |
| a. Cantilever | 3 kN |
| b. Torsion | 300 Nm |
| c. Tension | 25 kN |
| <u>CREEPAGE DISTANCES</u> | |
| a. Total | 590 mm |
| b. Protected | 215 mm |
| c. Flashover | 280 mm |

Pollution Performance N* (ESAA Publication D (b) 19-1975) =

| Issue | Mod. No. | Date |
|-------|----------|---------|
| C | 3141 | 19.1.05 |
| B | 3115 | 2.7.04 |

Drawn J. Bain
Date 14.5.2004



FIRST ANGLE PROJECTION



NZ Insulators Ltd.

New Zealand Insulators Ltd.
Tel: +64-3-615 0085
Fax: +64-3-615 8125
e-mail: sales@nzinsulators.co.nz

22kV SWITCH INSULATOR ASSY.
EXTERNAL CAP "T" EQUIVALENT

D412-0531/C