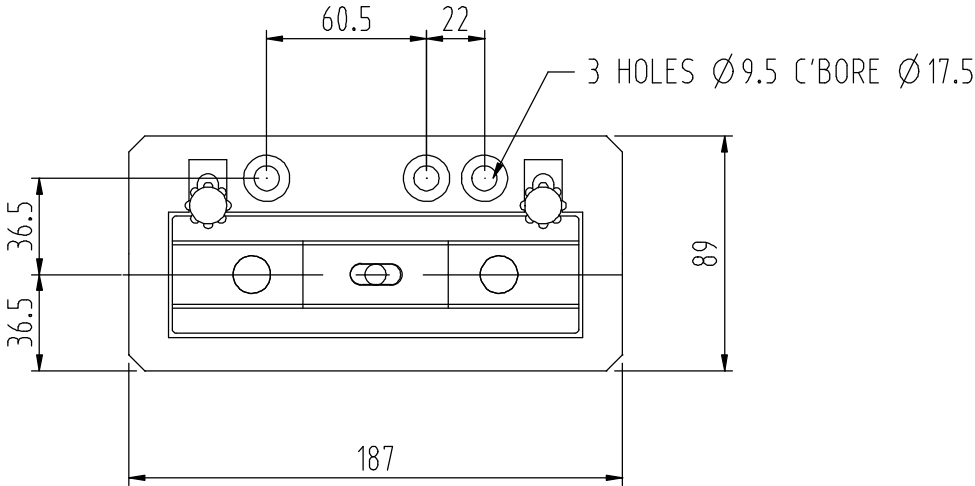
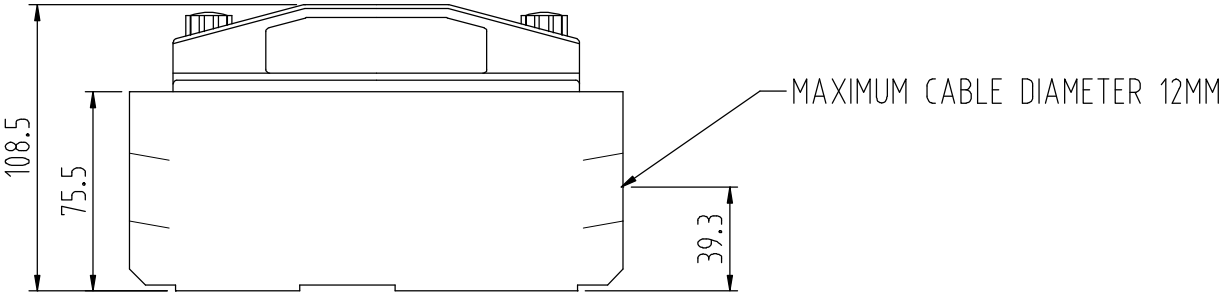


ALL DIMENSIONS IN MILLIMETRES - DO NOT SCALE - IF IN DOUBT PLEASE ASK



WEIGHT PER UNIT 3.0KG

Issue	Mod. No.	Date

Drawn J. UDEN
Date 10.12.2012

NEW ZEALAND INSULATORS



TEMUKA

NEW ZEALAND INSULATORS LTD
Tel: +64-3-687 8100
Fax: +64-3-615 8125
e-mail: sales@nzinsulators.co.nz



MINI WEDGE FUSE
200A PORCELAIN FUSEHOLDER

D393-1501/A