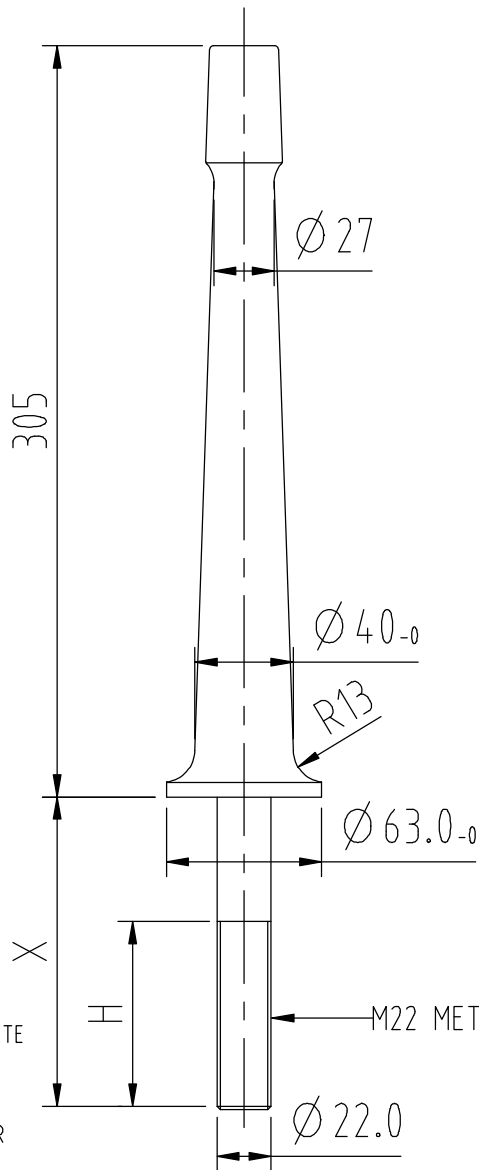
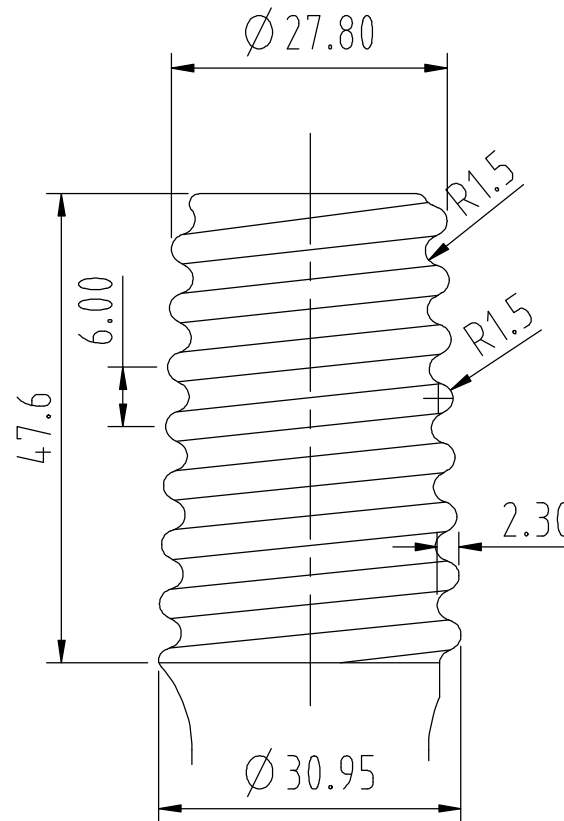


ALL DIMENSIONS IN MILLIMETRES – DO NOT SCALE – IF IN DOUBT ASK



TO BE SUPPLIED COMPLETE
WITH:- 1 FULL NUT
1 LOCK NUT
1 FLAT WASHER

NOTE
THREAD FORM AND GENERAL
DIMENSIONS TO CONFORM
TO B.S.3288 : Part 2 1977
GALVANISING TO BE TESTED
IN ACCORDANCE WITH B.S.729



TOLERANCE ON THREAD
FORM ± 0.1mm
(CHECKED BY GAUGING)

TOLERANCE
UP TO AND INCLUDING 35mm ± 0.7
ABOVE 35mm ± 2%

NZI Ref. N°	DIMENSIONS		AVAILABILITY
	X	H	
540498	127 (5")	75	SPECIAL
540471	152 (6")	89	SPECIAL
540463	178 (7")	102	STANDARD

L	2856	13.12.00	Material	FORGED STEEL
K	2047	6.9.96	Finish	HOT DIPPED GALVANISED
Issue	Mod.N°	Date	Tolerance - unless otherwise noted ±	SEE NOTE
			Casting Drq.N°	EDP N° SEE NOTE

Drawn J.Bain
Date 20.1.1993

FIRST ANGLE PROJECTION

NZI NZ Insulators Ltd.

New Zealand Insulators Ltd.
Tel: +64-3-615 0085
Fax: +64-3-615 8125
e-mail: sales@nzinsulators.co.nz

STANDARD 10kN R31 INSULATOR PIN
B.S. LARGE STEEL HEAD THREAD

D374-2023/L