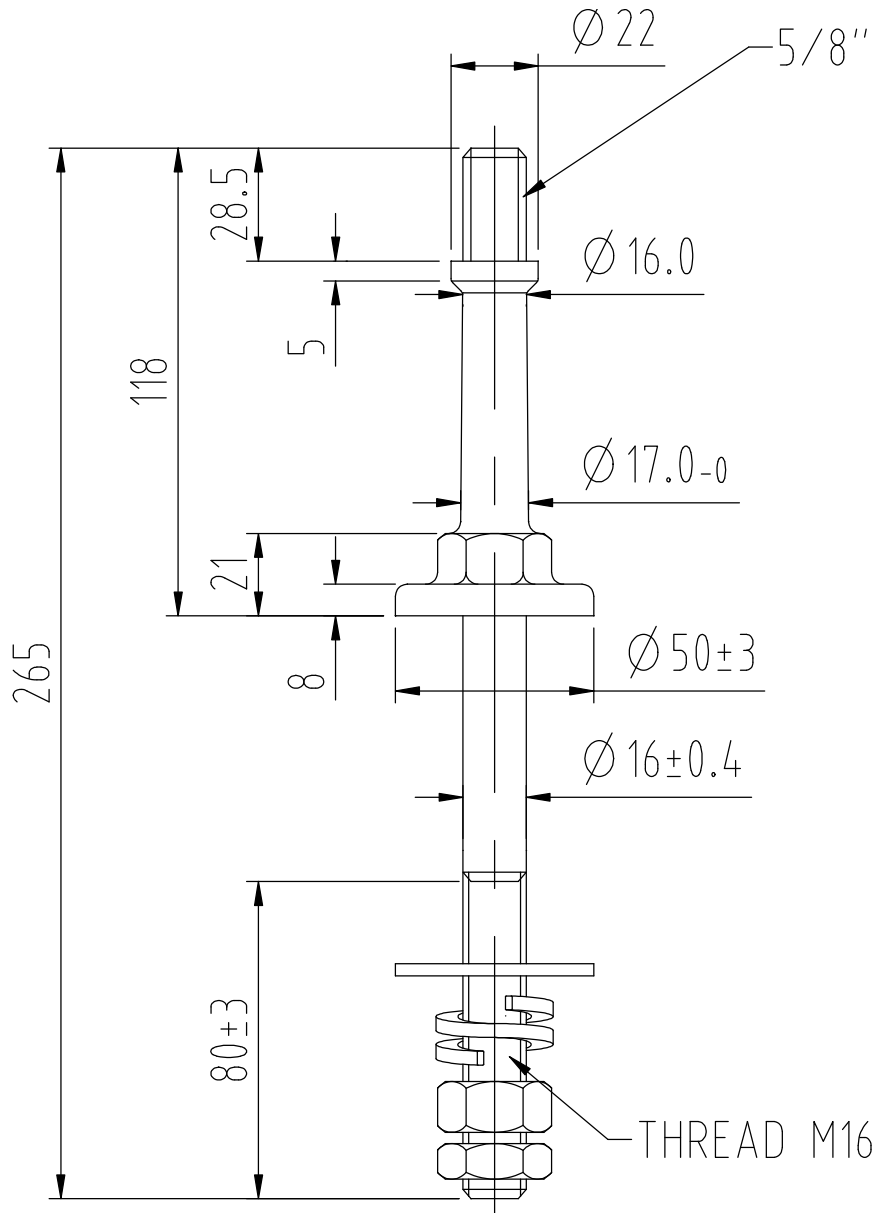


ALL DIMENSIONS IN MILLIMETRES - DO NOT SCALE - IF IN DOUBT PLEASE ASK



5/8" CORDEAU THREAD TO BRITISH STANDARD 16

STANDARD M16 NUT FORM



DETAIL OF HEX. SPINDLE GRIP
AND 'AX' LOGO

NOTE

Each spindle supplied with:-
 One M16 HDG Hex. full nut
 one M16 HDG Hex. thin nut
 One 50x50x5 HDG square flat washer
 One M16 HDG double coil spring washer

			Material AISI 1025 STEEL	Drawn J. Bain
E	3408	16.2.12	Finish GALVANISED TO ASTM A-153	Date 30.7.1997
D	3307	26.11.10	Tolerance - unless otherwise noted ± 1	
C	2878	1.3.01		
B	CAD		EDP N° 540358	
Issue	Mod. No.	Date	Casting Drg.N°	FIRST ANGLE PROJECTION

NEW ZEALAND INSULATORS



TEMUKA

NEW ZEALAND INSULATORS LTD
 Tel: +64-3-687 8100
 Fax: +64-3-615 8125
 e-mail: sales@nzinsulators.co.nz

M16 INSULATOR SPINDLE
118/147 - 5/8" CORDEAU THREAD

D374-2009/E