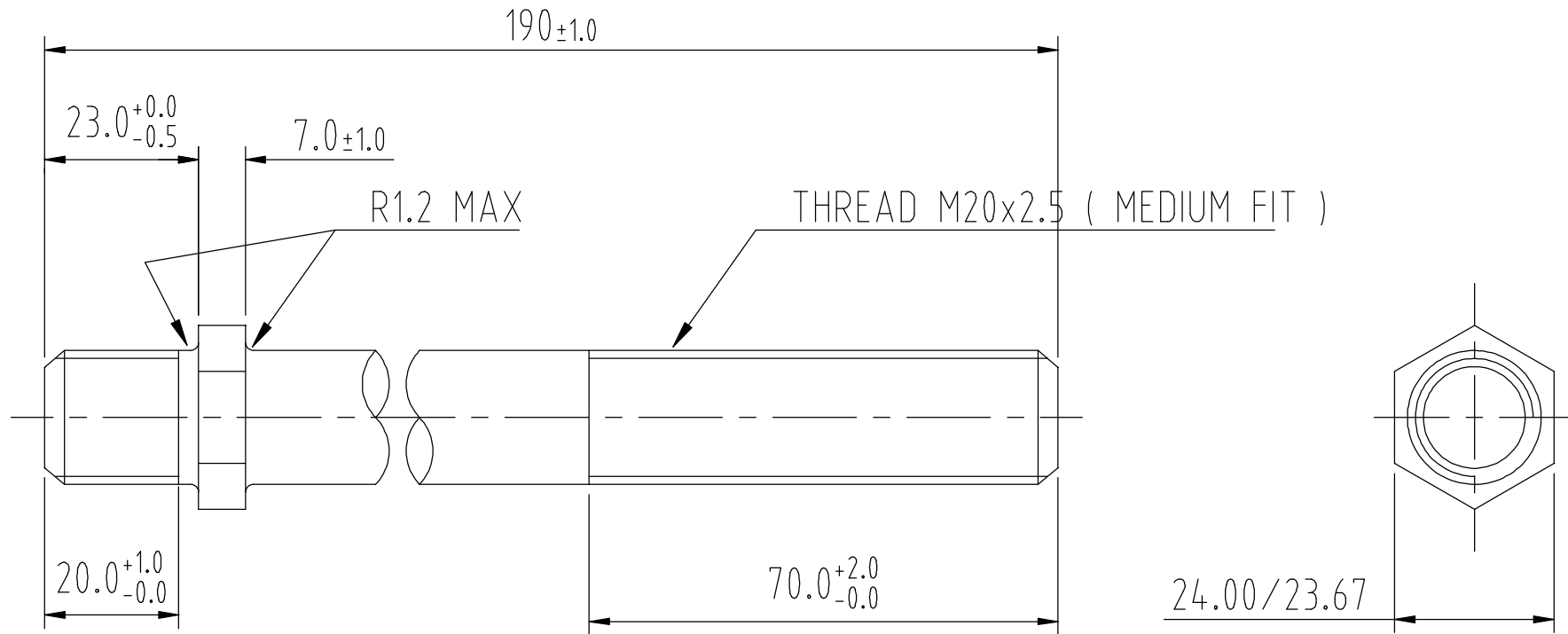




ALL DIMENSIONS IN MILLIMETRES - DO NOT SCALE - IF IN DOUBT ASK



COMPLETE METALWORK KIT

- 1 x M20 HDG FLAT WASHER (461781)
- 2 x M20 HDG FULL HEX NUT (463434)

				Drawn J.Bain	 NZ Insulators Ltd.	New Zealand Insulators Ltd. Tel: +64-3-615 0085 Fax: +64-3-615 8125 e-mail: sales@nzinsulators.co.nz
				Date 19.12.1985		
Material GRADE 4.6 STEEL				 FIRST ANGLE PROJECTION	LINE POST STUD M20 x 160	
Finish HOT DIP GALVANIZED						
Tolerance - unless otherwise noted ± 1.0					D330-2022/C	
C	2977	24.7.02	Casting Drg.N° _____ EDP N° 462063			
B	CAD	20.8.97				
Issue	Mod.N°	Date				