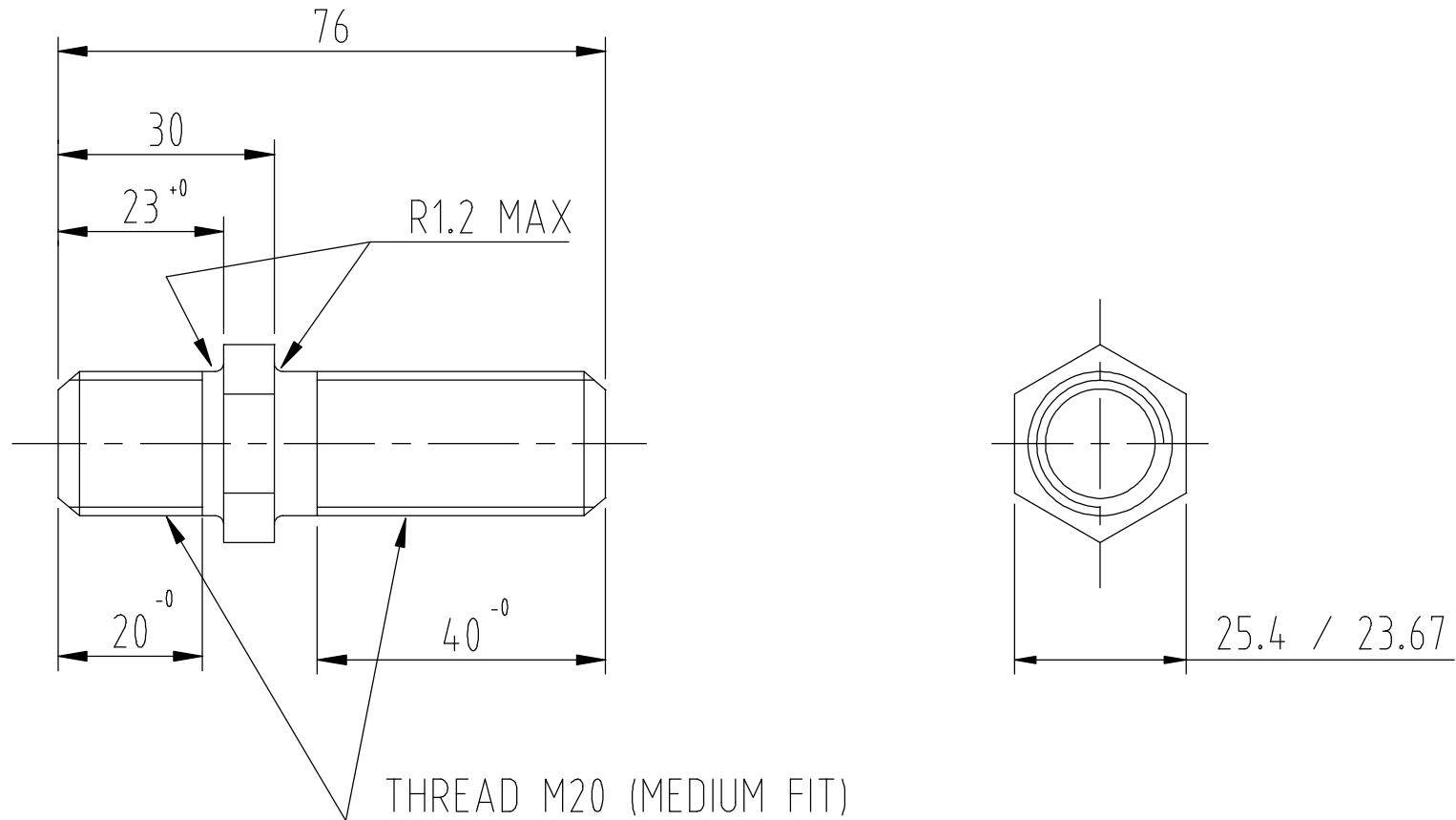


ALL DIMENSIONS IN MILLIMETRES - DO NOT SCALE - IF IN DOUBT ASK



			Material	GRADE 4.6 STEEL	
			Finish	HOT DIP GALVANIZED	
D	CAD	20.8.97	Tolerance - unless otherwise noted ±	1.0	
C	1529	27.6.89	Casting Drg.N°		EDP N° 4 6 2 9 7 7
Issue	Mod.N°	Date			

Drawn	J.Bain
Date	13.2.1986
FIRST ANGLE PROJECTION	

**NZI NZ Insulators Ltd.**

New Zealand Insulators Ltd.  
 Tel: +64-3-615 0085  
 Fax: +64-3-615 8125  
 e-mail: sales@nzinsulators.co.nz

LINE POST STUD  
 M20 x 45

D330-2013/D