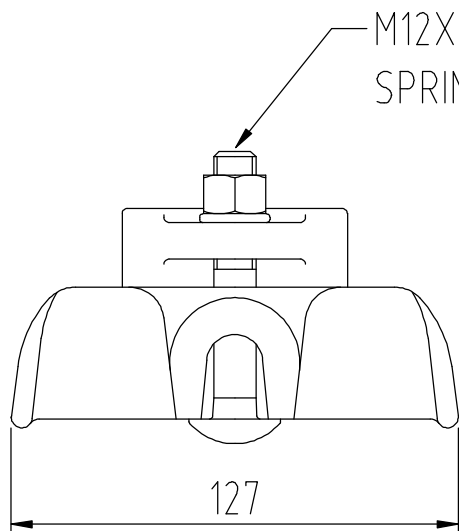
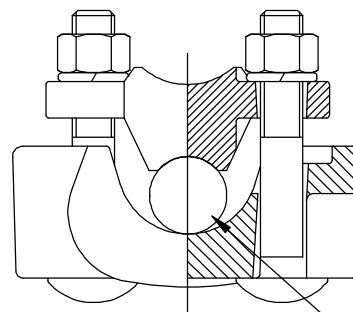


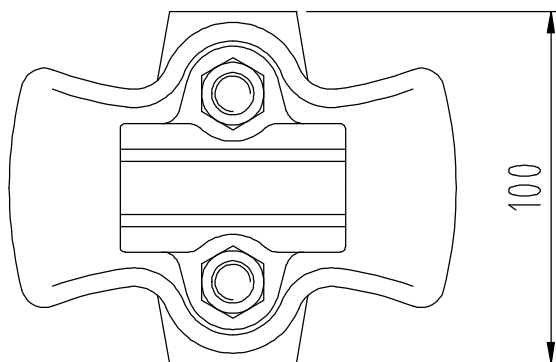
ALL DIMENSIONS IN MILLIMETRES - DO NOT SCALE - IF IN DOUBT PLEASE ASK



M12X75 CARRIAGE BOLT, NUT AND SPRING WASHER HDG



TO CLAMP CABLES FROM
Ø10 TO Ø38



MATERIAL - ALUMINIUM ALLOY Grade LM6

Issue	Mod. No.	Date

Drawn J.Uden
Date 04.12.2012

NEW ZEALAND INSULATORS



TEMUKA

NEW ZEALAND INSULATORS LTD
Tel: +64-3-687 8100
Fax: +64-3-615 8125
e-mail: sales@nzinsulators.co.nz



**CONDUCTOR CLAMP ASSEMBLY
FOR 3372/4492/1132T PIN TYPE INSULATORS**

D330-0503/A