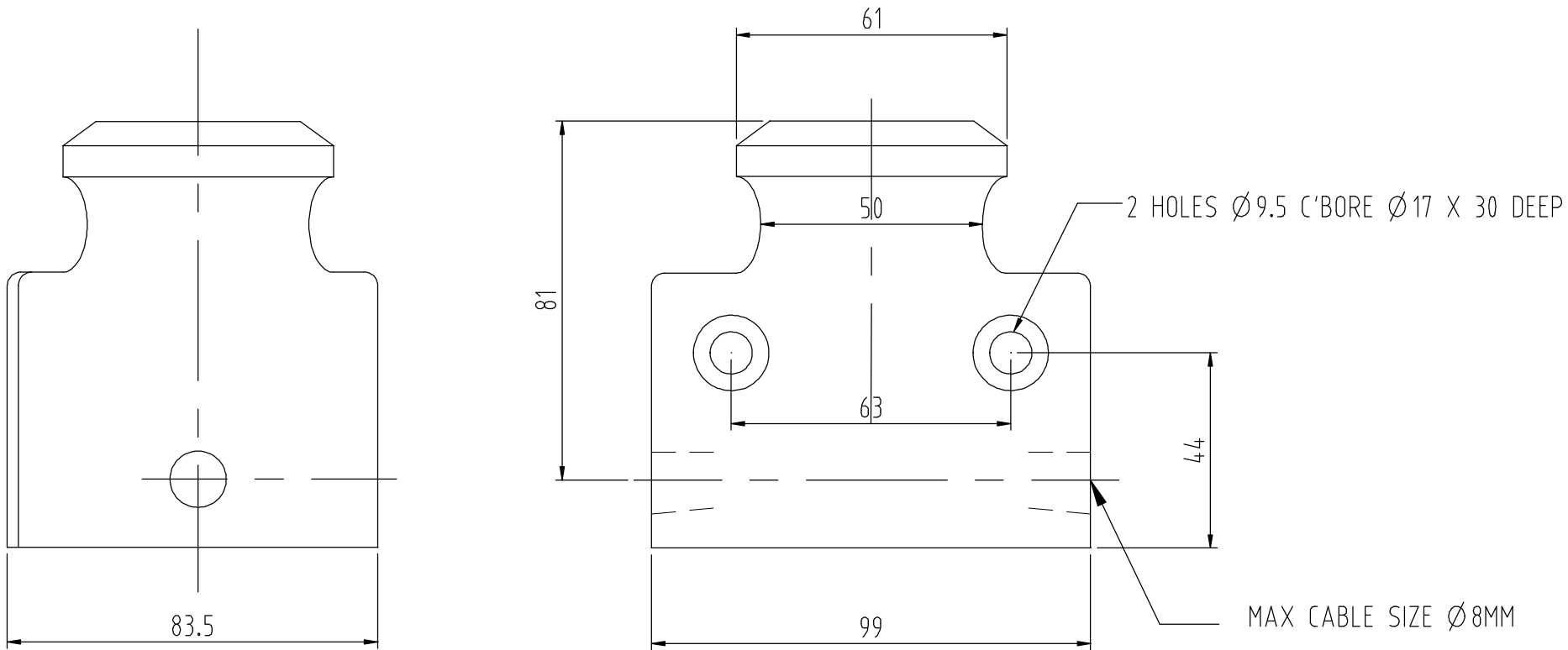


ALL DIMENSIONS IN MILLIMETRES - DO NOT SCALE - IF IN DOUBT PLEASE ASK



UNIT WEIGH 1.1KG

Issue	Mod. No.	Date

Drawn J. UDEN
Date 20.07.2012
FIRST ANGLE PROJECTION

NEW ZEALAND INSULATORS **nzi** TEMUKA

60A CUTOUT BASE ONLY

NEW ZEALAND INSULATORS LTD
Tel: +64-3-687 8100
Fax: +64-3-615 8125
e-mail: sales@nzinsulators.co.nz

D233-0502/A