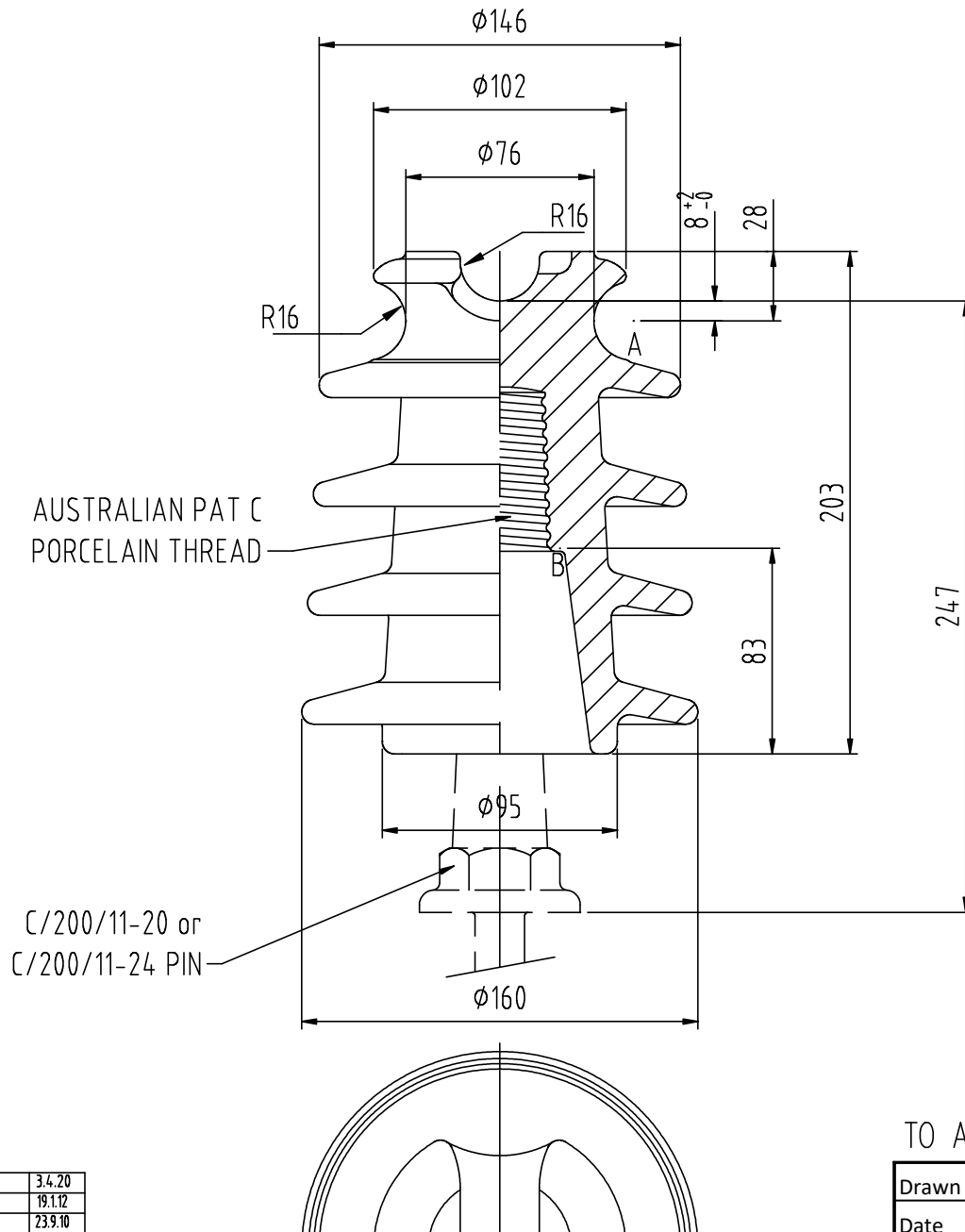


ALL DIMENSIONS IN MILLIMETRES - DO NOT SCALE - IF IN DOUBT PLEASE ASK



Technical Specification

ELECTRICAL CHARACTERISTICS

a. Nominal System Voltage	22 kV
b. Power frequency - wet (withstand)	50 kV
c. Power frequency - dry (withstand)	70 kV
d. Power frequency - wet (flashover)	75 kV
e. Power frequency - dry (flashover)	93 kV
f. Power frequency puncture	145 kV
g. Lightning impulse - dry (withstand)	170 kV

MECHANICAL CHARACTERISTICS

h. Min. cantilever strength	11 kN
i. Nominal creepage distance A-B	450 mm
j. Protected creepage distance	195 mm
k. Flashover distance	210 mm

Pollution Performance N* (ESAA Publication D (b) 19-1975) = 10.9

TO AS 2947

H	3766	3.4.20
G	3393	19.1.12
F	3299	23.9.10
E	3290	10.5.10
D	2113	24.9.97
C	1985	27.3.96
Issue	Mod. No.	Date

Drawn J. Bain
Date 27.3.96

FIRST ANGLE PROJECTION

NEW ZEALAND INSULATORS TEMUKA

NEW ZEALAND INSULATORS LTD
Tel: +64-3-687 8100
Fax: +64-3-615 8125
e-mail: sales@nzinsulators.co.nz

Cat. N%%d. ALP22/450
WITH AS 1154 Pat. C PORCELAIN THREAD

S2466-1/H