



# LineGuard

## FUSE SWITCH DISCONNECTOR



LineGuard is a completely insulated Fuse Switch Disconnecter designed for Direct Mounting on Poles or for use in Underground Boxes.

Light, Compact and Robust

Easy to Install - comes with a Mounting Bracket

Can be Ganged into a 3 Pole Unit

Can withstand Adverse Weather Conditions

Two separate models for NH 00 and Ferrule Fuselinks

Easy Opening and Closing from Ground Level with Standard Hook Operation

LineGuard is manufactured in accordance with requirements of IEC 60947



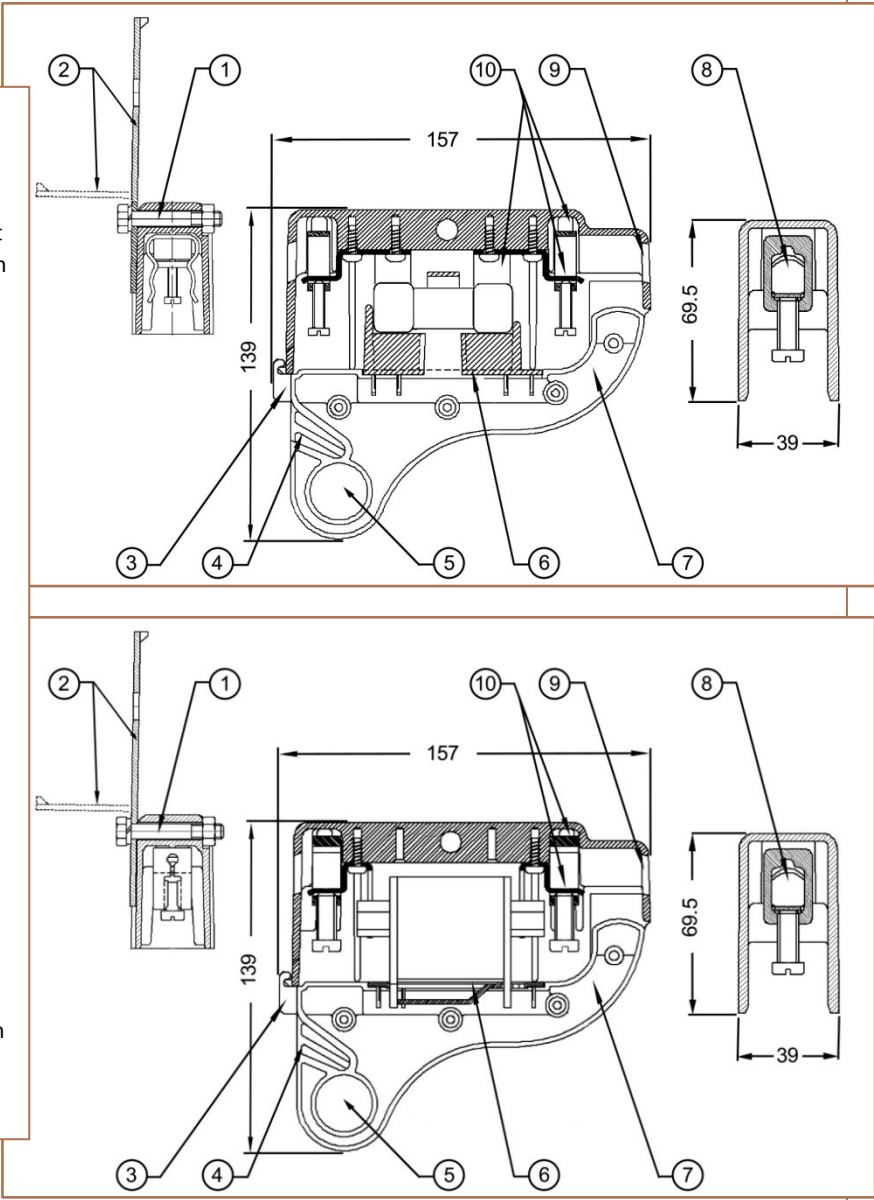
**New Zealand Insulators Limited**

Thomas Street • PO Box 5  
Telephone: +64-3-687 8100

• Temuka • NEW ZEALAND  
• Fax: +64-3-615 8125

• [www.nzinsulators.co.nz](http://www.nzinsulators.co.nz)  
• [sales@nzinsulators.co.nz](mailto:sales@nzinsulators.co.nz)

1. Stainless steel bolt
2. Galvanised pole mount bracket 180°/90° with 12mm hole
3. Fuse plug latching clip
4. Aperture for fitting fuse plug by hook stick
5. Grip for hook stick for opening and closing
6. Fuse link retaining clip
7. Internally hinged removable plug
8. One piece cable clamp supplied in open position for quick and easy installation
9. 15mm diameter cable entry
10. All contacts are of Non Ferrous material

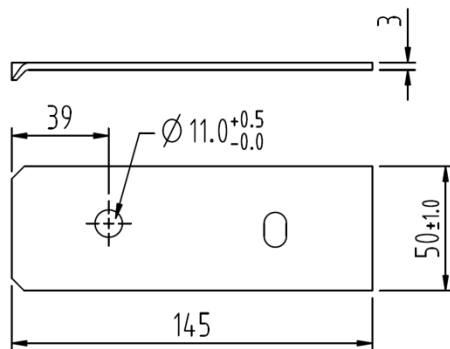
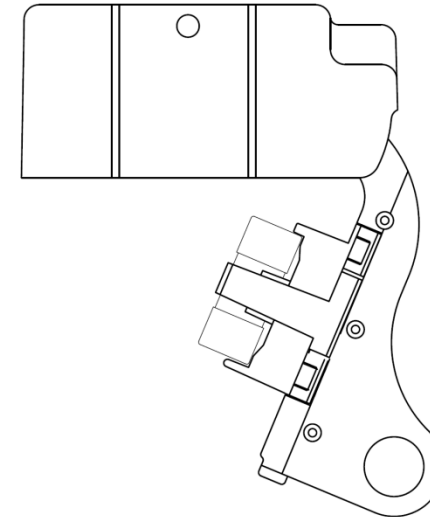
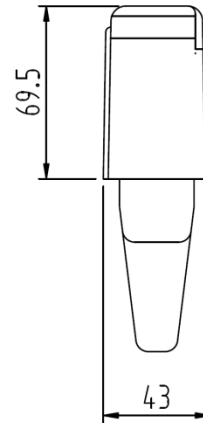
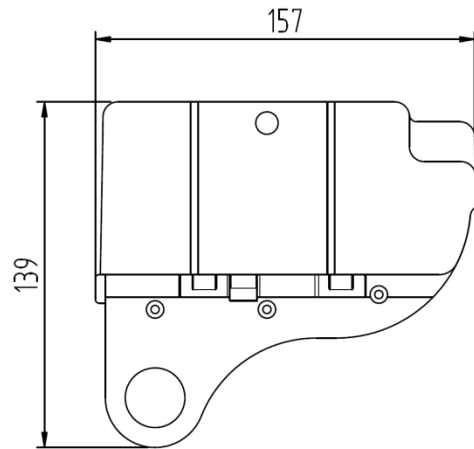


- **LineGuard** is designed to be a fully insulated on load switch and can be used for Low Voltage applications
- **Construction**  
The enclosure has 2 casings and is made of weather resistant / UV resistant Polycarbonate Thermoplastic. It comes in a single phase construction and can be easily ganged into a 3 pole model. Also incorporated are a Fuselink retaining clip and fuse plug latching clip. The 15mm cable entry can easily accommodate up to 95mm square conductors. All the contactors are electroplated with a non ferrous material providing excellent electrical properties.
- A standard hook stick can be used for opening and closing operations. Galvanised pole mount brackets with a 12mm hole and 90° or 180° angled bracket options can be provided for ease of installation
- Proudly made in New Zealand

### Technical Data

	With NH 00 Size Fuselink	With Ferrule Type Fuselink
Rated Operational Voltage	500V	500V
Rated Insulation Voltage	1000V	1000V
Rated Frequency	50Hz	50Hz
Rated Operational Current	160Amps	100Amps
Mass (Excluding Fuse)	300gms	310gms
Degree of Protection	IP23	IP23

ALL DIMENSIONS IN MILLIMETRES - DO NOT SCALE - IF IN DOUBT PLEASE ASK



LINEGUARD SUPPLIED COMPLETE WITH:

- MOUNTING BRACKET STEEL HDG
- M8 X 50 S/S BOLT
- M8 S/S SPRING WASHER
- M8 S/S FULL NUT

WEIGHT - 545GMS

Issue	Mod. No.	Date

Drawn J. UDEN

Date 08.05.2012



NEW ZEALAND INSULATORS



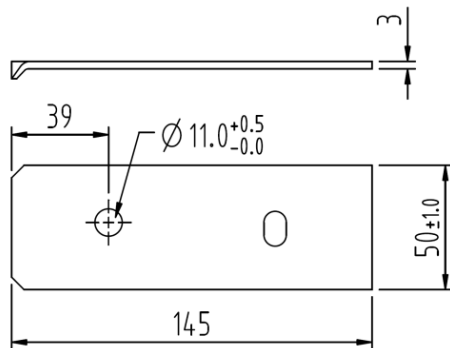
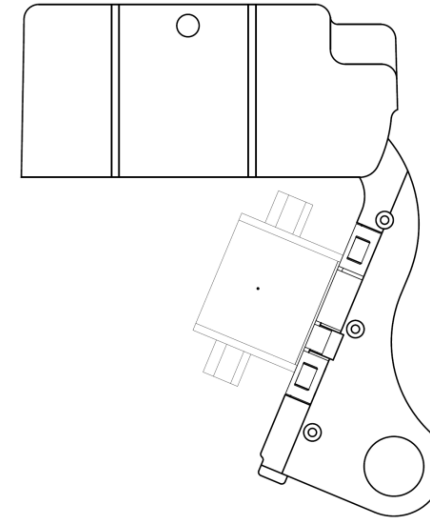
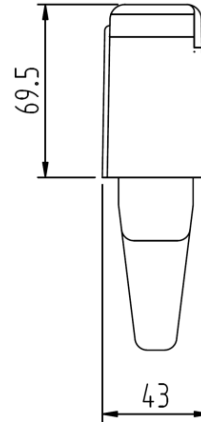
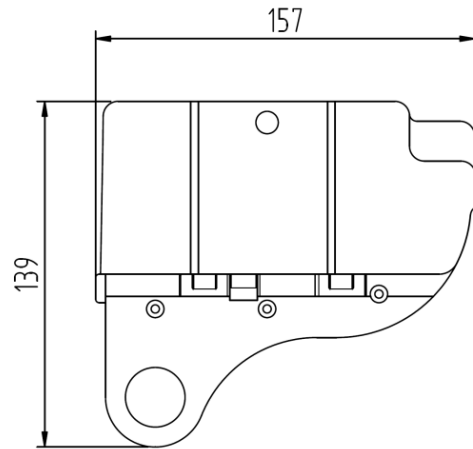
TEMUKA

NEW ZEALAND INSULATORS LTD  
Tel: +64-3-687 8100  
Fax: +64-3-615 8125  
e-mail: sales@nzinsulators.co.nz

**LINEGUARD DISCONNECT**  
100A FERRULE

**D883-0504/A**

ALL DIMENSIONS IN MILLIMETRES - DO NOT SCALE - IF IN DOUBT PLEASE ASK



LINEGUARD SUPPLIED COMPLETE WITH:

- MOUNTING BRACKET STEEL HDG
- M8 X 50 S/S BOLT
- M8 S/S SPRING WASHER
- M8 S/S FULL NUT

WEIGHT - 505GMS

Issue	Mod. No.	Date

Drawn J. UDEN Date 08.05.2012	NEW ZEALAND INSULATORS <b>nzi</b> TEMUKA	NEW ZEALAND INSULATORS LTD Tel: +64-3-687 8100 Fax: +64-3-615 8125 e-mail: sales@nzinsulators.co.nz
FIRST ANGLE PROJECTION	<b>LINEGUARD DISCONNECT</b> 160A NH00	<b>D883-0503/A</b>