

SHEET A4

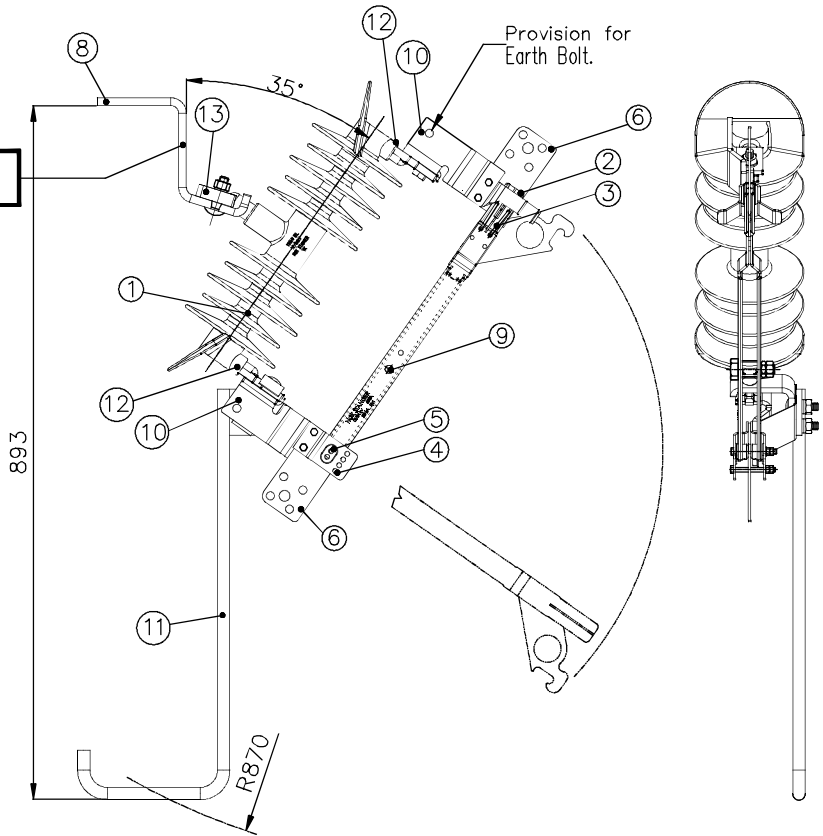
OPTIONAL
Earth Support Kit
72018
2 Req'd / Sw.

Anti-Rotating
Locking Feature

OPTIONAL
Stainless Steel
U-Bolt Kit
69297/2
4 Req'd / Sw.



ALTERNATIVE OPTION
Single Bolt Cable Clamp
71235
2 Req'd / Sw.



Notes: -

- 1). Insulator : Inherently puncture proof. Colour : Light Grey. COMPOSITE Insulator: F/Glass core with POLYMER sheds & housing, Extra thick silicon rubber 4.5mm around centre pin, End pins are with blind holes and ends of fiber glass rod are not exposed, they are covered by metal & silicon rubber over it. Extended creepage distance E to F 820mm. Supplied with 'Z' Type Mounting Bracket. (Plain w/o Spikes) for use on F/Glass X-Arm.
- 2). Silver to silver front contacts.
- 3). Front contact pressure assured via stainless steel 'Lyre' springs.
- 4). 90° or 60° Removable Stop.
- 5). Hinge Joint.: Silver washers with constant pressure 'Belleville' washers.
- 6). Multi-purpose terminal palm, for compression lugs or cable clamps. Refer Price List for cable clamp kits available.
- 7). All parts for contact blade (3mm or less) manufactured from non-ferrous or stainless material, for max. corrosion protection.
- 8). Crossarm Mounting Bracket .Fasteners should be stainless steel-69196/10
- 9). Spacer
- 10). Support bracket made of 6mm S.S 316 material
- 11). Earthing attachment - SS316 - 73524/10 - Ø16 Rated short time current 13.1 KA/1 sec
- 12). Bushing support pin - SS304
- 13). Hood pin - SS304
- 14). All fasteners and washers should be stainless steel grade

Technical Data

Applicable Standard.: AS1306 / 2650

A) Ratings		U =		kV. kV.		B) Clearance Distances :		Crepage.		L _s =		820 mm	
Rated Voltage. (max.)		12		24		C) Temperature Rise :		Contacts.		32 °C			
Nominal Voltage		11		22		D) Dielectric Test Voltage:		Terminals.		32 °C			
Insulation Level		150 kV.				Terminal To Earth :		50 Hz.Dry W/Stand.		60 kV			
Max.Rated Normal Current.		630 A				50 Hz.Wet W/Stand.		50 kV		150 kVp.			
Rated Frequency.		50 Hz.				1.2 x 50 Impulse W/Stand.		170 kVp.					
Rated Breaking Capacity (Mainly Active Load) A		I _{br} =		—		Terminal To Terminal :		50 Hz.Dry W/Stand.		60 kV			
Rated Short - Time Current 1s		I _{sc} =		20 kA.		50 Hz.Wet W/Stand.		170 kVp.					
Pollution Performance No.		P =		76.5		1.2 x 50 Impulse W/Stand.		60 kV					
E.S.A.A. Med.Rainfall.				66.9				170 kVp.					
High				83.8				6.8 kg					
Low				74.5									
Specific Creepage.		L _s /V _N		mm/kV.									

This document is the property of NGK STANGER P/L and must not be copied or reproduced without its written permission nor disclosed to any third party.

3	Earthing attachment design and mounting bracket changed	ISSUE	CHANGE
2	NOTE 10 ADDED	ISSUE	CHANGE
1	Original	ISSUE	CHANGE

SCALE 1 : 1

DRN. RAMANA

CH'D. RAMANA

APP'D. FUJII

ISSUED 13/03/12

C - Type POLYMER MVI

12/24kV. Single Pole Isolating Link.

150 kV BIL

Quality Endorsed Company

NGK STANGER

NGK STANGER Pty. Ltd. A.B.N. 89 004 225 012
MELBOURNE AUSTRALIA

SIZE A4 DRAWING No. 70414/EE ISSUE 6

ISO 9001:2000