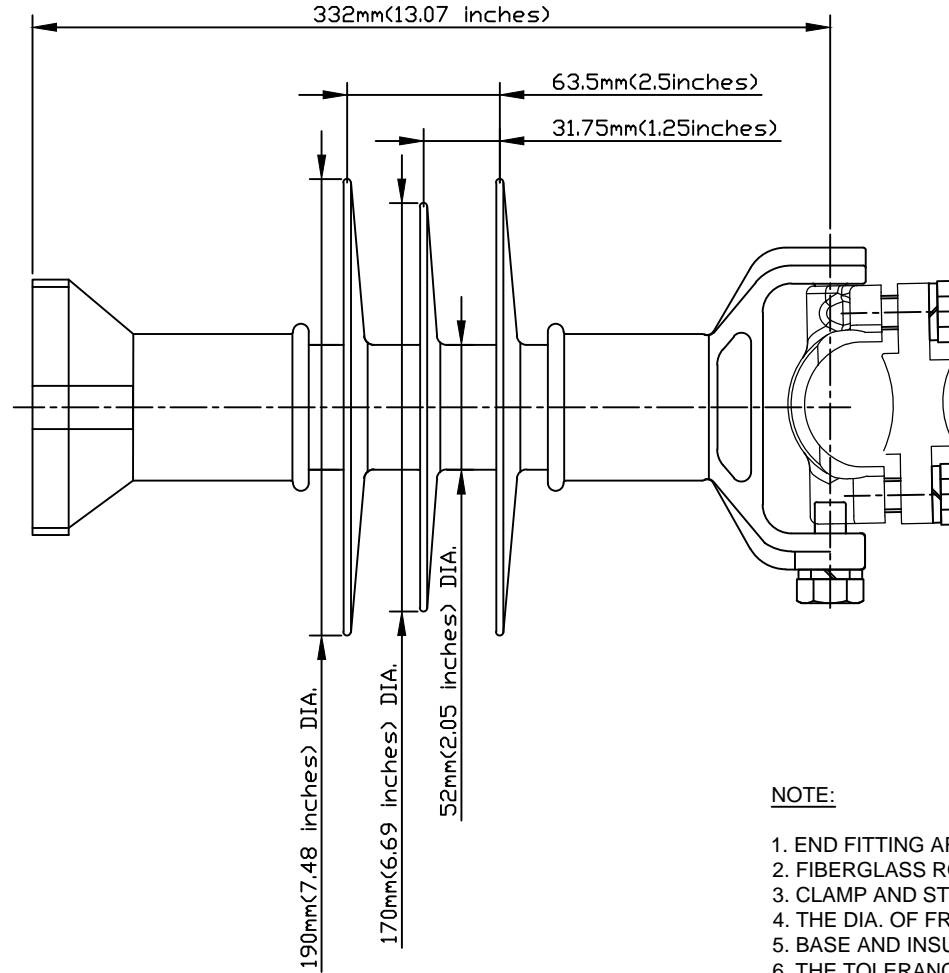
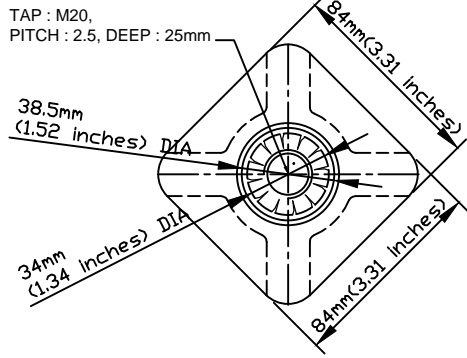


CODE No. LPV-15SK-HP-1-M20

NO.	DESCRIPTION	DWG. NO.	MATERIAL	Q'TY	FINISH/SIZE	NOTE



DIMENSIONS

LEAKAGE DISTANCE	476 mm
DRY ARCING DISTANCE	180 mm
SHEDS QTY	3 PCS

MECHANICAL VALUES

SPECIFIED CANTILEVER LOAD	12.5 kN
Max. DESIGN CANTILEVER LOAD	6 kN
TENSILE STRENGTH	22 kN

ELECTRICAL VALUES

Low-Freq. FLASHOVER-DRY	80 kV
Low-Freq. FLASHOVER-WET	60 kV
IMPULSE FLASHOVER-POS	115 kV
IMPULSE FLASHOVER-NEG	128 kV
Low-Freq. WITHSTAND-DRY	65 kV
Low-Freq. WITHSTAND-WET	50 kV
IMPULSE WITHSTAND-POS	105 kV
IMPULSE WITHSTAND-NEG	115 kV

PACKING INFORMATION

NET WEIGHT EACH	6.0 kg
NO. IN STANDARD PACKAGE	1 PCS

NOTE:

1. END FITTING ARE MADE FROM CARBON STEEL FORGED & GALVANIZED.
2. FIBERGLASS ROD IS MADE FROM EPOXY RESIN.
3. CLAMP AND STUD BASE DIMENSIONS ARE IN ACCORDANCE WITH ANSI C29.18
4. THE DIA. OF FRP ROD IS 45mm(1.77inches) SOLID.
5. BASE AND INSULATOR ASSEMBLED WITH M20 BOLT AND WASHER.
6. THE TOLERANCE ON ALL DIMENSIONS SHALL BE AS FOLLOWS:
 $\pm(0.04d+1.5)$ mm when $d < 300$ mm
 $\pm(0.025d+6)$ mm when $d > 300$ mm with a maximum of 50mm

						DRAWN BY	DESIGNED BY	CHECKED BY	APPROVED BY	SCALE	DATE	NAME	Polymer Line Post Insulator for Distribution			
						J.H.PARK			C.H.PARK	1/1			E	15kV HP VERTICAL LP Insulator with WC		
						FEB.09.2019			FEB.09.2019					REF.NO.		SHEET NO
1/R	02/09/2017	INITIAL RELEASE	J.H.PARK	C.H.PARK								DWG.NO.	LPV-15SK-HP-1-M20			
NO.	DATE	REVISIONS	DESIGNED	APPROVED	REMARKS											