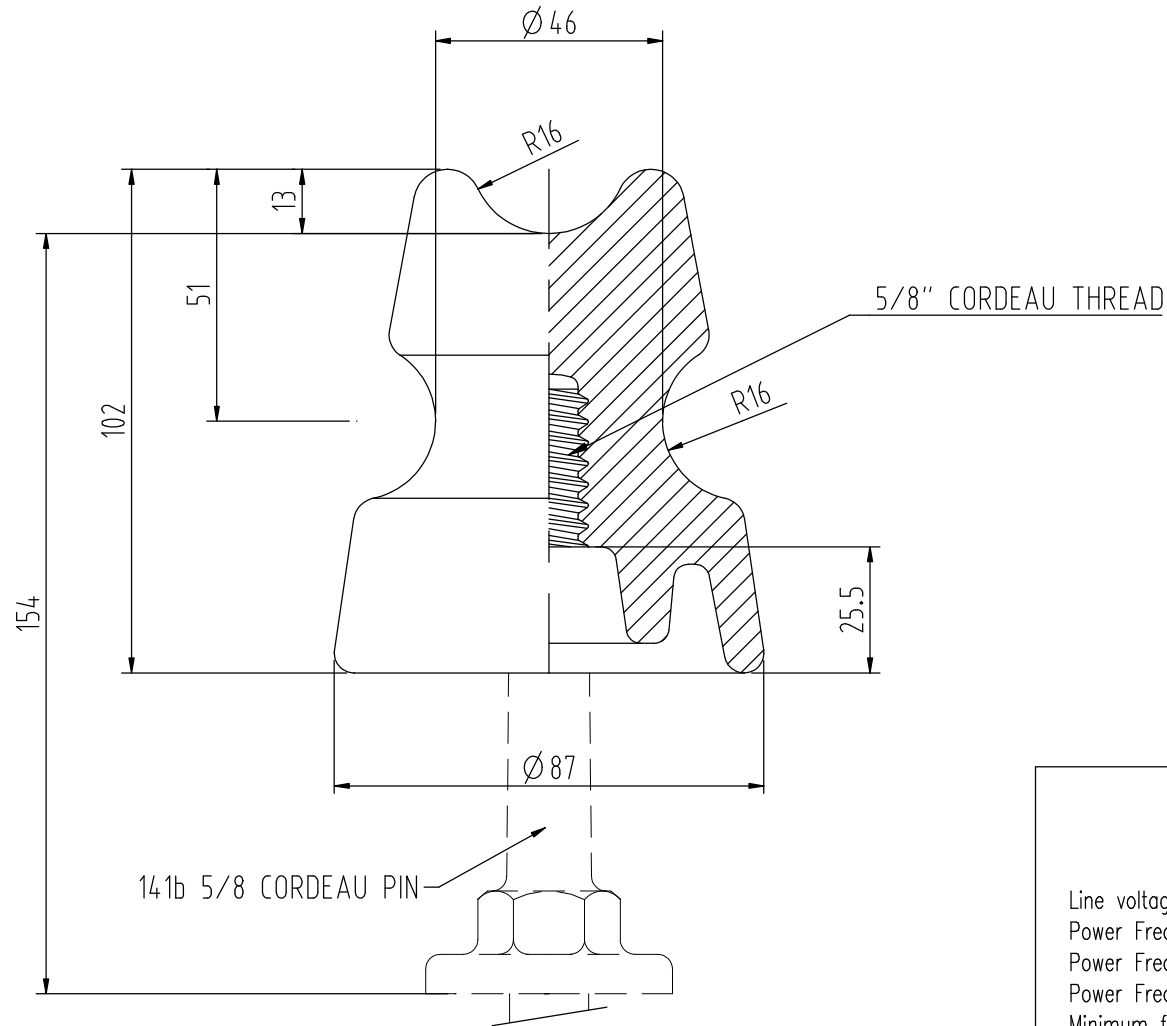


ALL DIMENSIONS IN MILLIMETRES - DO NOT SCALE - IF IN DOUBT PLEASE ASK



Technical Specification

	DESIGNED VALUES
Line voltage	400 - 3000 Volts
Power Frequency flashover voltage - dry	55 kV
Power Frequency flashover voltage - wet	25 kV
Power Frequency puncture voltage	< 70 kV
Minimum failing load - Cantilever (Dependant on pin used)	7 kN

C	3540	20.5.13
B	3290	10.5.10
Issue	Mod. No.	Date

Drawn J. Bain
Date 18.03.1996

NEW ZEALAND INSULATORS



TEMUKA

NEW ZEALAND INSULATORS LTD
Tel: +64-3-687 8100
Fax: +64-3-615 8125
e-mail: sales@nzinsulators.co.nz



CaT. N° 511
LOW VOLTAGE PIN INSULATOR

S1656/C