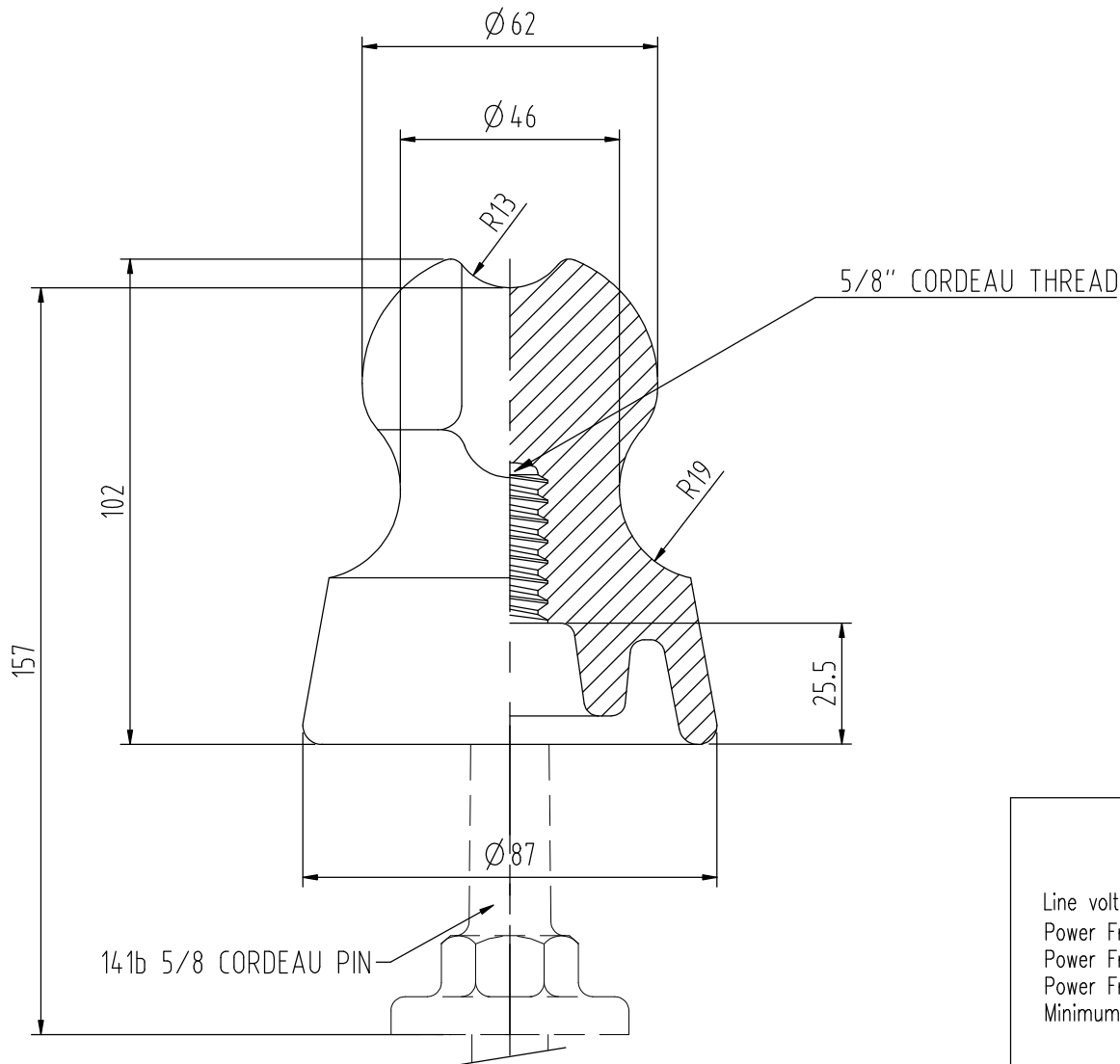


ALL DIMENSIONS IN MILLIMETRES - DO NOT SCALE - IF IN DOUBT PLEASE ASK



Technical Specification

	DESIGNED VALUES
Line voltage	400 – 3000 Volts
Power Frequency flashover voltage – dry	55 kV
Power Frequency flashover voltage – wet	25 kV
Power Frequency puncture voltage	< 70 kV
Minimum failing load – Cantilever (Dependant on pin used)	7 kN

Issue	Mod. No.	Date
d	3541	21.5.13
c	3290	10.5.10

Drawn J. Bain  
Date 12.3.1996

FIRST ANGLE PROJECTION

NEW ZEALAND INSULATORS **nzi** TEMUKA

NEW ZEALAND INSULATORS LTD  
Tel: +64-3-687 8100  
Fax: +64-3-615 8125  
e-mail: sales@nzinsulators.co.nz

Cat. N° 510  
0.4kV - 3.0kV PIN INSULATOR

**S1003/D**