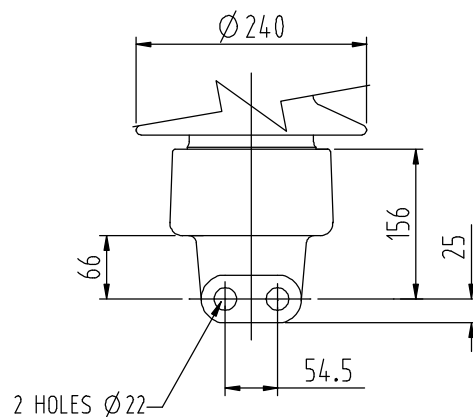
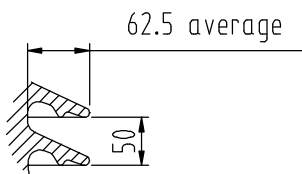
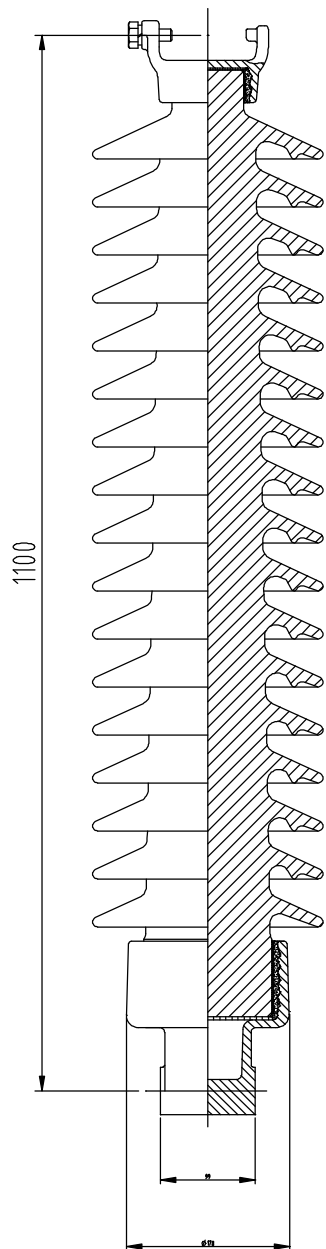


ALL DIMENSIONS IN MILLIMETRES - DO NOT SCALE - IF IN DOUBT PLEASE ASK



Technical Specification

	DESIGNED VALUES
<u>SYSTEM HIGHEST VOLTAGE</u>	110 kV
<u>WITHSTAND TEST VOLTAGES</u>	
a. Power frequency – wet	130 kV
b. Lightning impulse – dry	450 kV
<u>MINIMUM FAILING LOADS</u>	
a. Cantilever	8?? kN
b. Torsion	600 Nm
c. Tension	22 kN
<u>CREEPAGE DISTANCES</u>	
a. Total	2850 mm
b. Protected	1315 mm
c. Flashover	930 mm

Pollution Performance N* (ESAA Publication D (b) 19-1975) = 12.9

Issue	Mod. No.	Date
D	3487	11.1.13
C	2951	2.4.02
B	2940	14.1.02

Drawn J.Bain
Date 19.12.2001



NEW ZEALAND INSULATORS



TEMUKA

NEW ZEALAND INSULATORS LTD
Tel: +64-3-687 8100
Fax: +64-3-615 8125
e-mail: sales@nzinsulators.co.nz

110kV VERTICAL C/TOP L/POST
Class 3 CREEPAGE WITH SPECIAL BASE

D724-0519/D