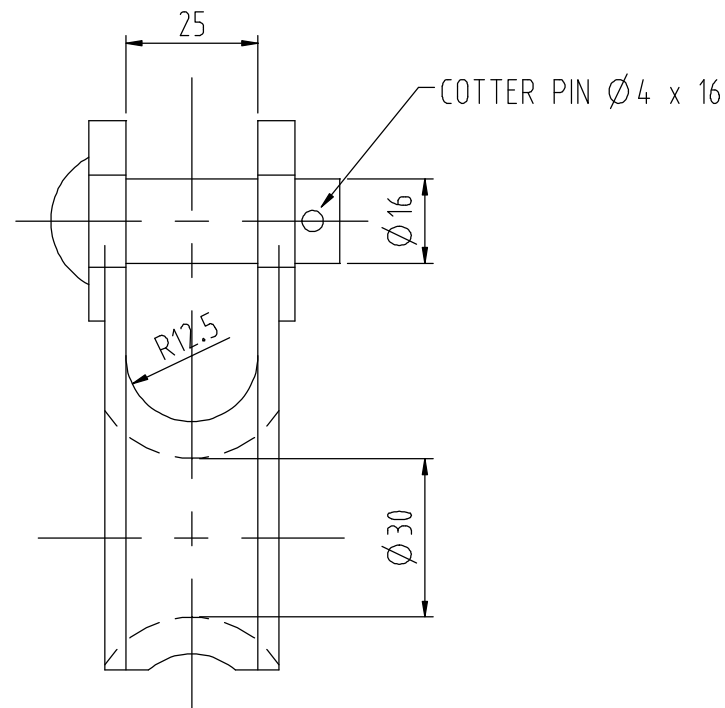
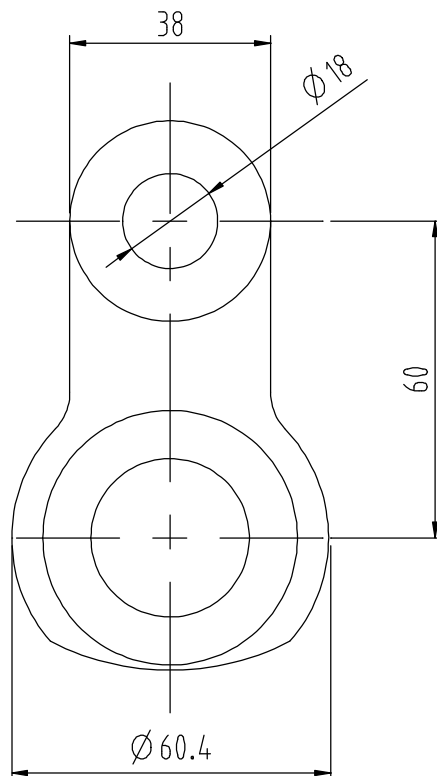



ALL DIMENSIONS IN MILLIMETRES - DO NOT SCALE - IF IN DOUBT PLEASE ASK



NOTE

1. THE BODY IS MADE OF MALLEABLE IRON.  
THE COTTER PIN IS MADE OF STAINLESS STEEL.  
OTHER PARTS ARE STEEL.
2. ALL FERROUS PARTS ARE HOT DIP GALVANISED TO BS 729.
3. THE ULTIMATE TENSILE STRENGTH IS NOT LESS THAN 70kN.
4. NET WEIGHT: 0.65kg APPROX.
5. PART NUMBER: 536393

Issue	Mod. No.	Date

Drawn J.B
Date 14.3.2012
 FIRST ANGLE PROJECTION

NEW ZEALAND INSULATORS  TEMUKA
<b>AX CLEVIS THIMBLE</b> MALLEABLE IRON - 70kN - TYPE TC-XM-7

NEW ZEALAND INSULATORS LTD Tel: +64-3-687 8100 Fax: +64-3-615 8125 e-mail: sales@nzinsulators.co.nz
<b>D374-2142/A</b>