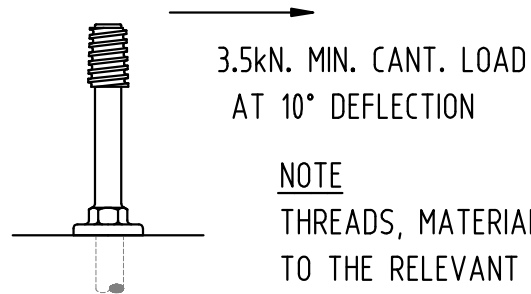
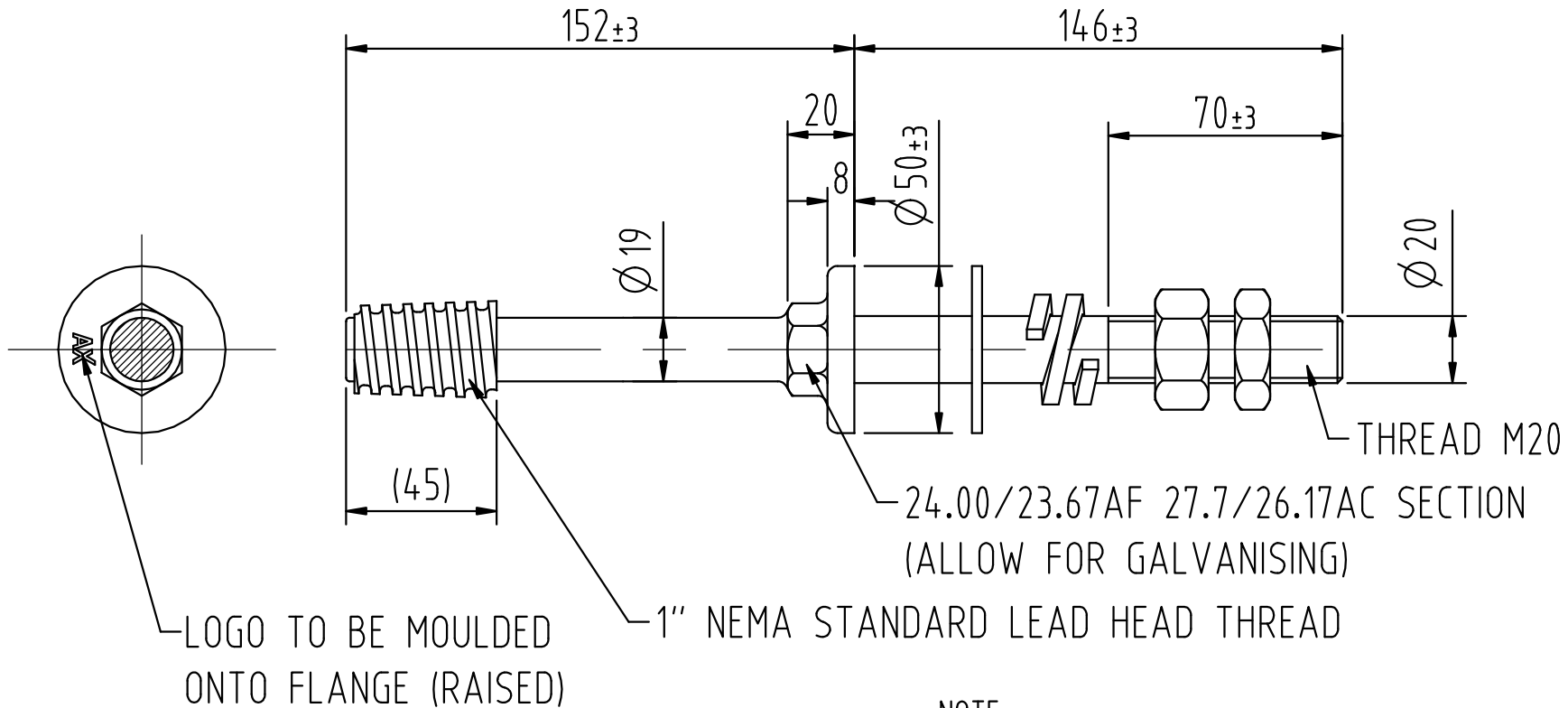



ALL DIMENSIONS IN MILLIMETRES – DO NOT SCALE – IF IN DOUBT ASK



**NOTE**  
 THREADS, MATERIALS AND FINISH ALL TO THE RELEVANT NEMA STANDARDS.

**NOTE**  
 Each spindle supplied with:-  
 One M20 HDG Hex. full nut  
 One M20 HDG Hex. thin nut  
 One 50x50x3 HDG square flat washer  
 One M20 HDG double coil spring washer

Issue	Mod.N°	Date	Casting Drg.N°	EDP N° 536326	Drawn J. Bain Date 3.5.2011	<b>NEW ZEALAND INSULATORS</b>  <b>TEMUKA</b> New Zealand Insulators Ltd. Tel: +64-3-615 0085 Fax: +64-3-615 8125 e-mail: sales@nzinsulators.co.nz
			Material AISI 1025 STEEL Finish HOT DIP GALVANISED TO ASTM A-153 Tolerance - unless otherwise noted ± 1	FIRST ANGLE PROJECTION	1" LEAD HEAD THREAD 152/146 INSULATOR SPINDLE	

D374-2118/C