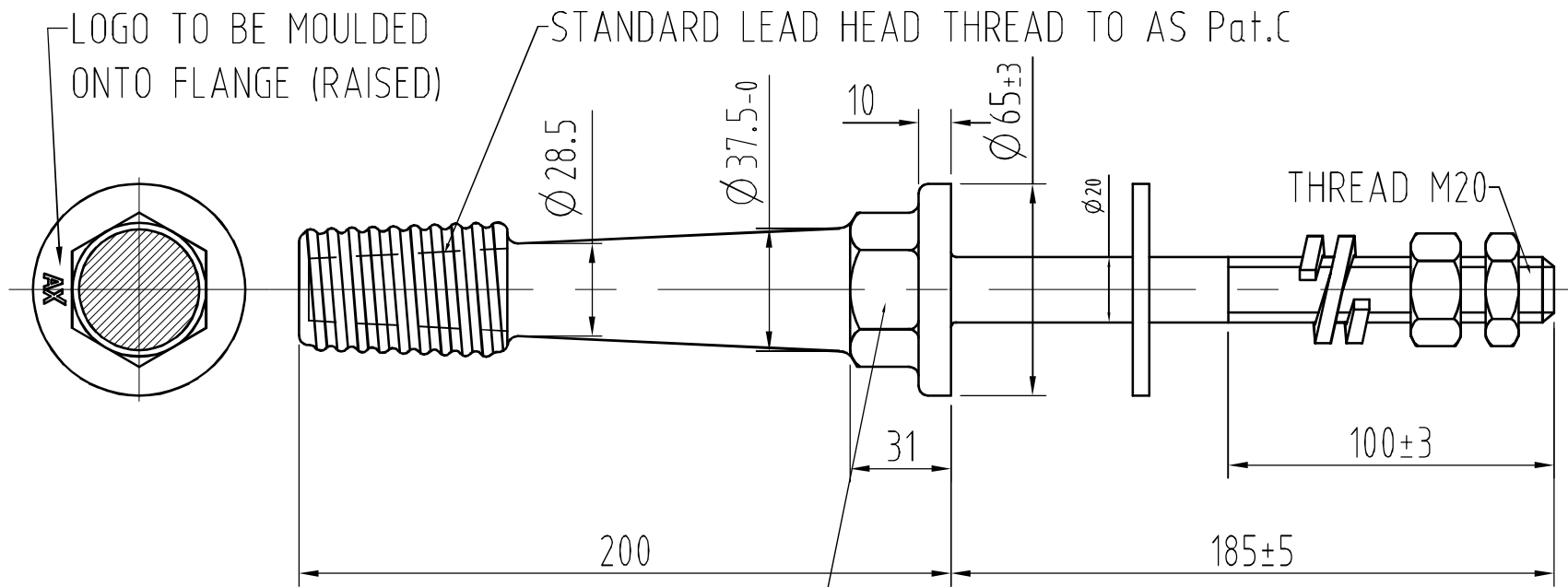


ALL DIMENSIONS IN MILLIMETRES - DO NOT SCALE - IF IN DOUBT PLEASE ASK



41.00/40.00AF 47.3/45.20AC SECTION
(ALLOW FOR GALVANISING)

NOTE

- Each spindle supplied with:-
- One M20 HDG Hex. full nut
- One M20 HDG Hex. thin nut
- One 57x57x5 HDG square flat washer
- One M20 HDG double coil spring washer

			Material AISI 1025 STEEL	Drawn J.Bain	NEW ZEALAND INSULATORS  TEMUKA	NEW ZEALAND INSULATORS LTD Tel: +64-3-687 8100 Fax: +64-3-615 8125 e-mail: sales@nzinsulators.co.nz
			Finish HOT DIP GALVANISE TO BS.729	Date 4.5.2011		
			Tolerance - unless otherwise noted ± 1.0		AUSTRALIAN Pat.C INSULATOR SPINDLE 200/185 - TYPE C/200/11 - M20	
B	3394	19.01.12	EDP N°538213			
Issue	Mod. No.	Date	Casting Drg.N°			