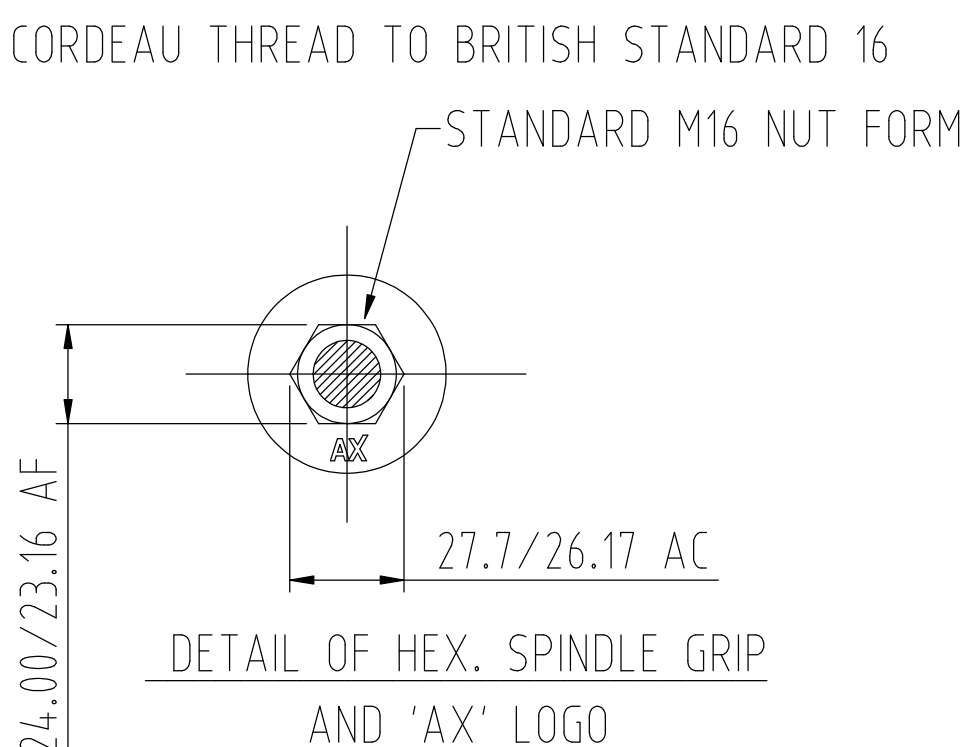
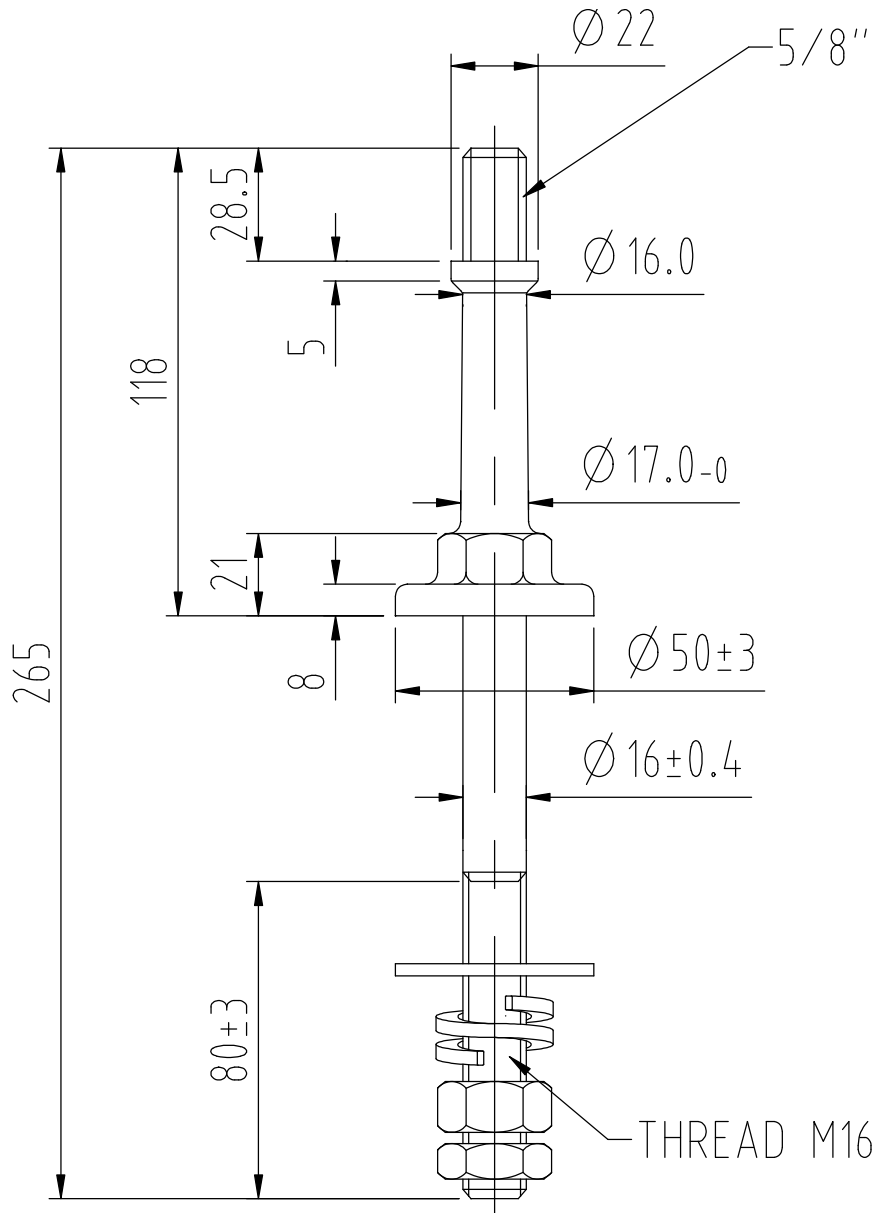


ALL DIMENSIONS IN MILLIMETRES - DO NOT SCALE - IF IN DOUBT PLEASE ASK



DETAIL OF HEX. SPINDLE GRIP
AND 'AX' LOGO

NOTE
 Each spindle supplied with:-
 One M16 HDG Hex. full nut
 one M16 HDG Hex. thin nut
 One 50x50x5 HDG square flat washer
 One M16 HDG double coil spring washer

			Material AISI 1025 STEEL	Drawn J. Bain	NEW ZEALAND INSULATORS  TEMUKA	NEW ZEALAND INSULATORS LTD Tel: +64-3-687 8100 Fax: +64-3-615 8125 e-mail: sales@nzinsulators.co.nz
E	3408	16.2.12	Finish GALVANISED TO ASTM A-153	Date 30.7.1997		
D	3307	26.11.10	Tolerance - unless otherwise noted ± 1	 FIRST ANGLE PROJECTION	M16 INSULATOR SPINDLE 118/147 - 5/8" CORDEAU THREAD	
C	2878	1.3.01				
B	CAD		EDP N° 540358		D374-2009/E	
Issue	Mod. No.	Date	Casting Drg.N°			