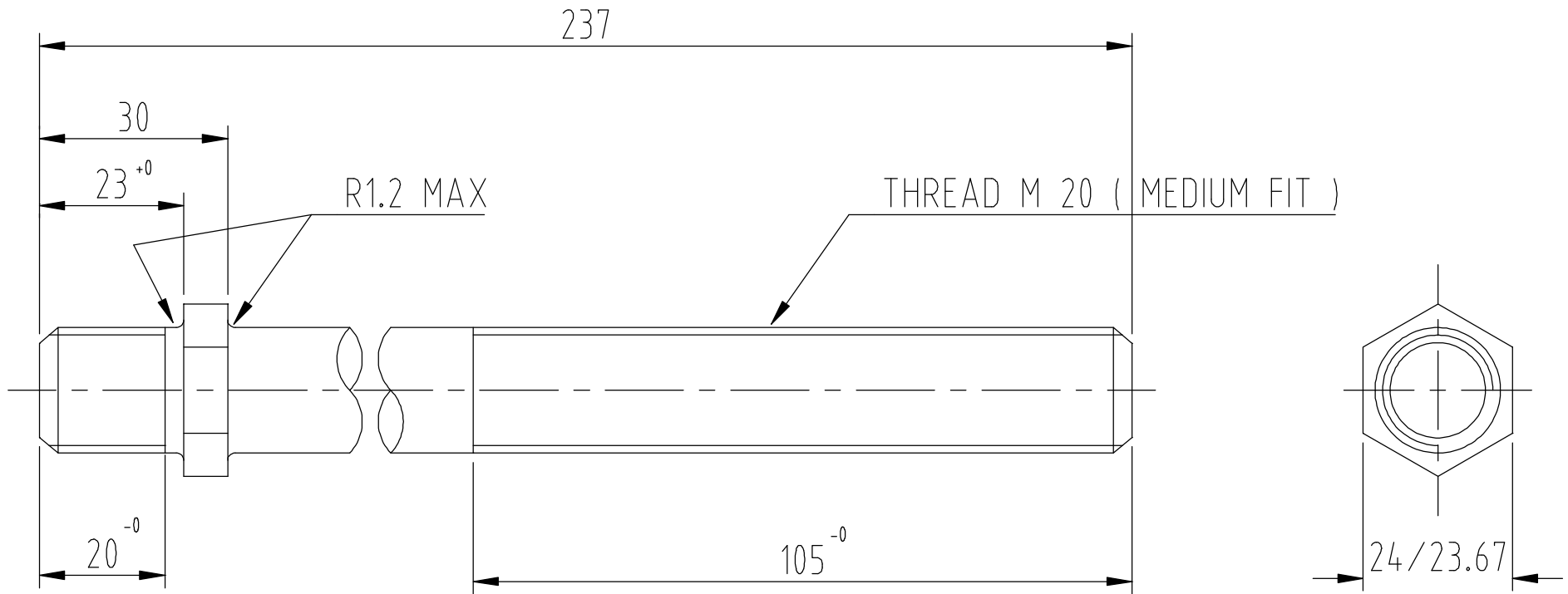


ALL DIMENSIONS IN MILLIMETRES - DO NOT SCALE - IF IN DOUBT ASK



TO BE SUPPLIED C/WITH:      461598  
 2 HDG HEX FULL NUTS          463434  
 1 HDG FLAT WASHER            461781

				Drawn J.Bain	<b>NZI NZ Insulators Ltd.</b>	New Zealand Insulators Ltd. Tel: +64-3-615 0085 Fax: +64-3-615 8125 e-mail: sales@nzinsulators.co.nz
				Date 19.12.1985		
Material GRADE 4.6 STEEL					LINE POST STUD M20 x 205 ( 105 THREADED )	
Finish HOT DIP GALVANIZED						
B	2101	25.8.97	Tolerance - unless otherwise noted ± 1.0	FIRST ANGLE PROJECTION	<b>D330-2059/B</b>	
Issue	Mod.N°	Date	Casting Drg.N° _____ EDP N° 4 6 1 3 9 3			