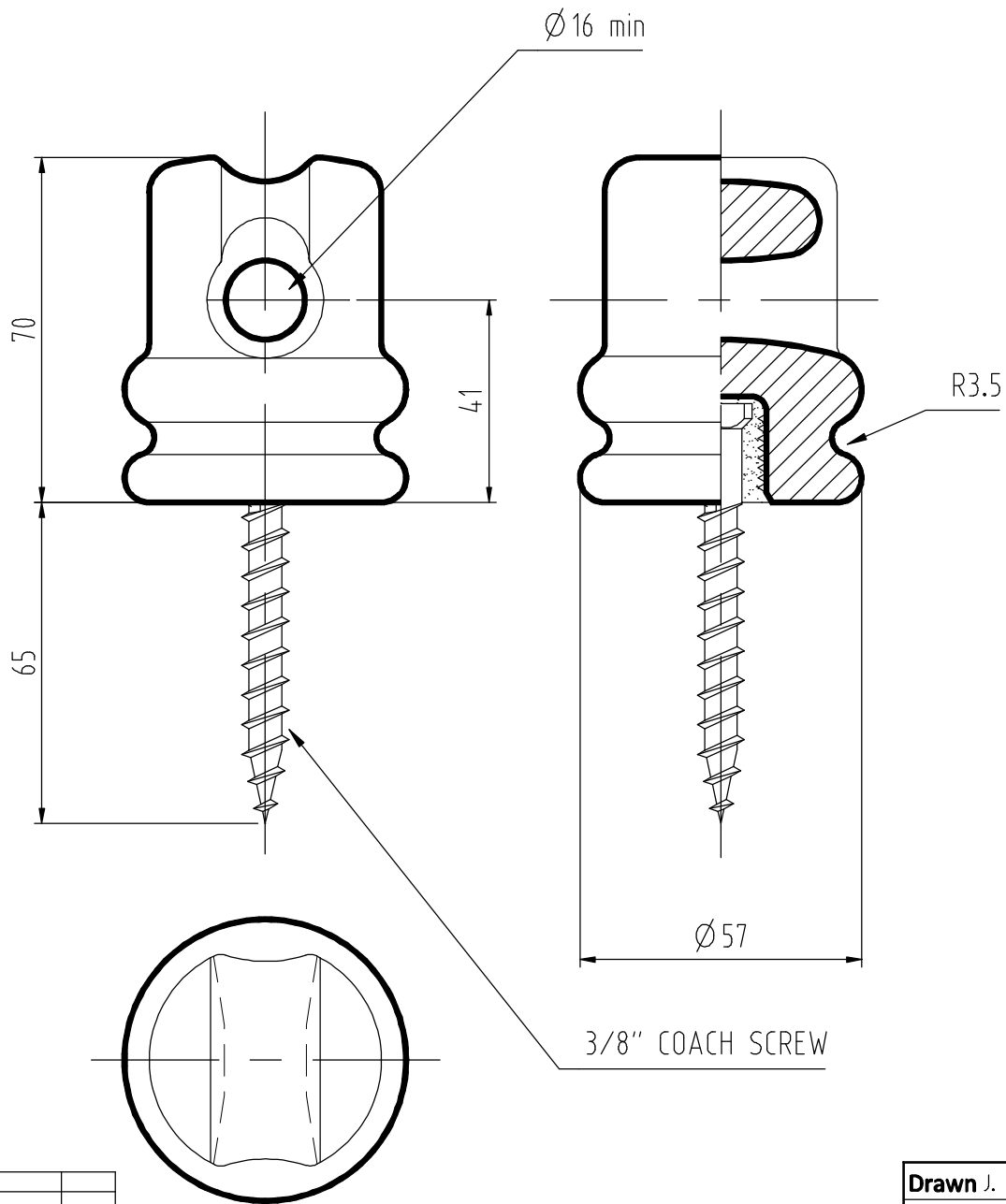


ALL DIMENSIONS IN MILLIMETRES - DO NOT SCALE - IF IN DOUBT PLEASE ASK



TECHNICAL SPECIFICATIONS

MECHANICAL STRENGTH

- a. Direct pull in line with screw
- b. Lateral pull at right angles

DESIGNED
VALUES

4.0 kN
2.5 kN

ELECTRICAL

- a. Dry flashover
- b. Wet flashover

30 kV
11 kV

b	2074	27.2.97
Issue Mod. No.	Date	

Drawn J. Bain
Date 16.6.1995

NEW ZEALAND INSULATORS



TEMUKA

NEW ZEALAND INSULATORS LTD
Tel: +64-3-687 8100
Fax: +64-3-615 8125
e-mail: sales@nzinsulators.co.nz



NZI Cat. N° 103
HEAVY DUTY HOUSE SERVICE INSULATOR

D267-0502/B