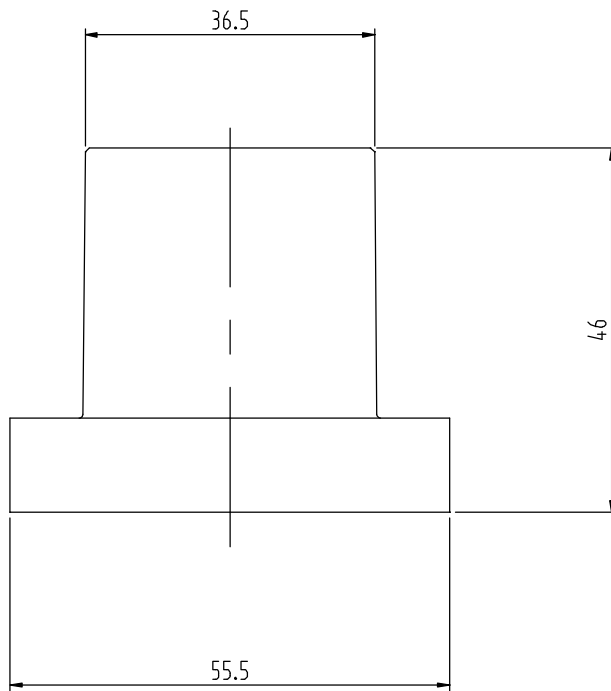
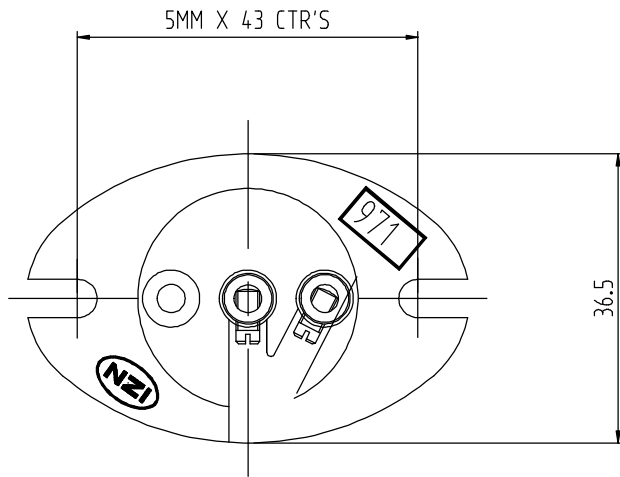


ALL DIMENSIONS IN MILLIMETRES - DO NOT SCALE - IF IN DOUBT PLEASE ASK



UNIT WEIGHT 85GMS

Issue	Mod. No.	Date

Drawn J. UDEN Date 4.10.12	NEW ZEALAND INSULATORS nzi TEMUKA NEW ZEALAND INSULATORS LTD Tel: +64-3-615 0085 Fax: +64-3-615 8125 e-mail: sales@nzinsulators.co.nz
 FIRST ANGLE PROJECTION	Cat N° 971 ES LAMPHOLDER EXTERNAL BACK MOUNTING D190-0501/A